

XF



JAGUAR

This is the XF. This is the fusion
of sports car and luxury sedan.
This is the new Jaguar.







XF Sporting luxury 2-9 XF Interior craftsmanship 10-15
Intuitive technology 16-21 Engine choice 22-23
Driving dynamics 24-29 Safety 30-31 Choices and
technical specifications 32-37 XF Accessories 38-41
Owning your XF 42-43





The XF is the first sporting sedan to deliver Jaguar's stunning new design language.

Its bold new face looks to the future, while reaffirming the marque's sporting DNA.

The profile is unique – athletic and assertive, the dramatic lines of a coupé enveloping a spacious cabin with four doors and seating for five adults. And the styling is underpinned by the strength of Jaguar engineering and the latent power of the XF's dynamic character.

Its looks will engage you emotionally, and its driver-focused engineering will do the rest.





The XF: a shape that re-draws the boundaries, a striking Jaguar in a long line of beautiful, fast cars.

Its abilities defined by proportion - long, low and wide, the XF clearly has muscle below its softly contoured skin. The strong grille creates a distinctive signature, emphasizing a broad, solid stance. The low nose, sweeping roofline and powerful shoulders add visual dynamism – a promise of performance even when the XF is standing still. And the detailing is exquisite and subtle, from the woven mesh of the grille to the dramatically sculpted light clusters; from the side power vents to the large alloy wheels.





JAGUAR

SUPERCHARGED

The XF represents a relaxed, confident and luxurious design supported by outstanding ability, control and performance.

This is Sporting Luxury. Inside the spacious interior Jaguar craftsmanship abounds in the exquisite materials and a relentless attention to detail; wood veneer next to textured aluminum and handcrafted leather highlighted by twin-needle stitching.





Audio Tr 1 00:12 12:34

- My iPod
- Playlist
- Artist
- Album
- Song

Lock Unlock Hazard Trunk Power

Source Load

Play/Pause Previous/Next

DEF R AUTO Refresh

Start/Stop

Handbrake





At the heart of the fascia, a 7 inch touch-screen controls most major functions, reducing buttons to a discreet panel below the screen.

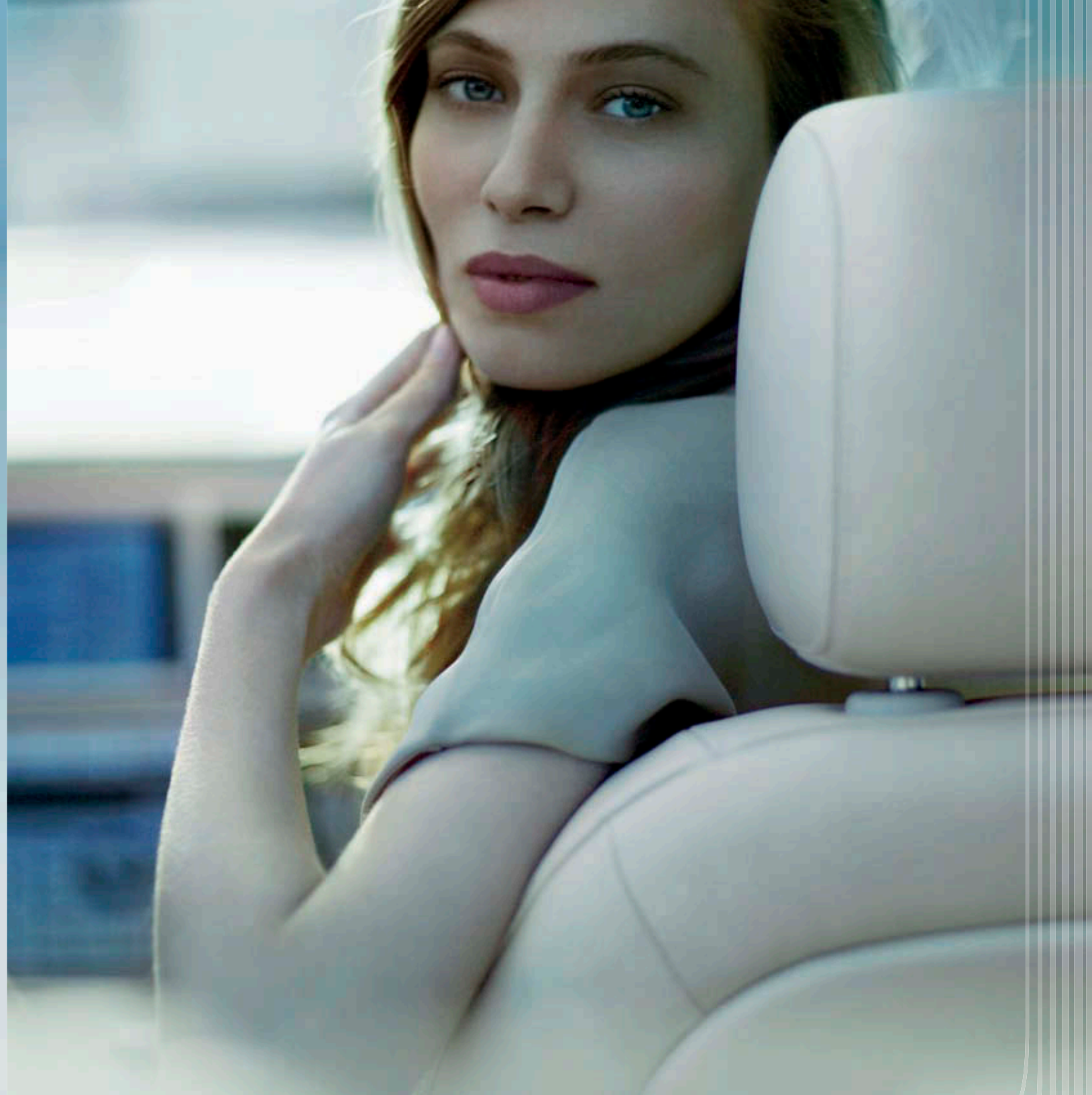
The XF's JaguarDrive Selector™ sets the automotive standard for automatic transmission control. Its rotary action is positive and intuitive. The compact design creates space for more technological comforts such as iPod®

or MP3 player connectivity. Many features remain hidden until they are actually needed - the XF's automatic climate control system includes rotating vents that roll quietly and smoothly out of sight when not in use. At night, Phosphor blue

halo illumination takes its cues from contemporary design. And the same soothing hue highlights the aluminum-faces of the XF's instruments.

iPod is a registered trademark of Apple Inc.







Jaguar's intelligent use of technology and driver-friendly touch-screen controls add new layers of comfort and ease of use.

With a light touch, JaguarSense™ activates the front interior lights and glove box release. And the optional JaguarVoice™ controls many features simply by asking. The optional Blind Spot Monitor takes much of the uncertainty out of lane

changing, while available front and rear parking aids make maneuvering easier. Choose the XF's rear camera and objects that may have been obscured when reversing can now be more easily seen.







Every level of the XF's audio system features full iPod and MP3 connectivity with function control through the 7 inch touch-screen, and includes at least eight speakers plus a sub-woofer.

The optional Bowers & Wilkins 440W surround sound system is designed in association with one of the audio industry's most respected specialists, who understand sound as deeply as Jaguar understands engineering. Like Jaguar, Bowers & Wilkins pride themselves on their critically acclaimed craftsmanship. Admired by audiophiles, artists and recording

engineers alike, their signature Kevlar® mid-range drivers and specially designed aluminum-dome tweeters complete a sound system tuned by Bowers & Wilkins' acoustic experts specifically for the XF. The system features a remote amplifier with Dolby® Pro Logic® II surround sound and 13 speakers plus sub-woofer.





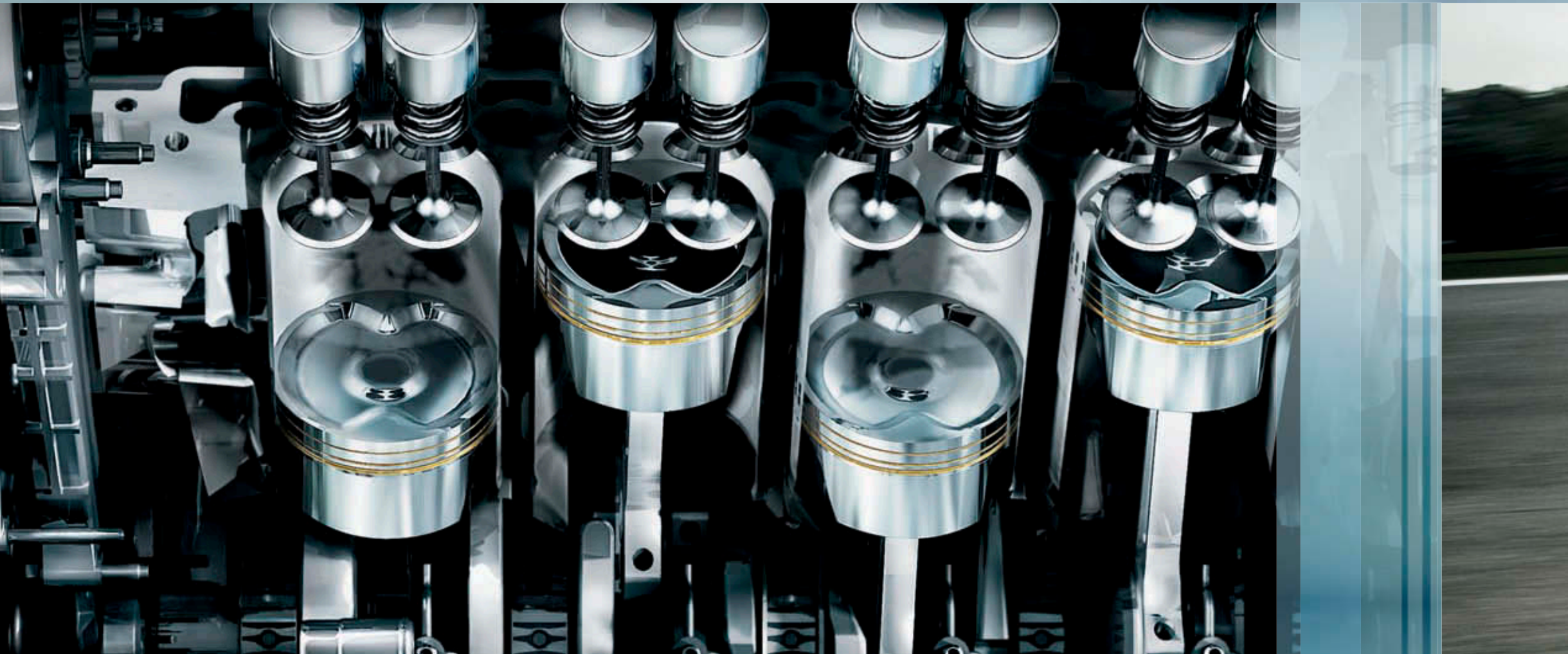
The Keyless Entry system – standard on Premium Luxury and Supercharged models

– is a thoughtful feature that combines convenience with ease of use. Approach the XF with its Jaguar Smart Key, pull the door release, and the system triggers the security-protected opening. Intuitive simplicity in action. Inside, Jaguar intuition continues. Press the start up button and the JaguarDrive

Selector™ rises – softly – into the palm of your hand, which can now select driving positions. As the XF starts, the rotating vents turn silently from their flush, parked position to their functional open position, and the Touch-screen initializes to its home page. The XF is ready to be experienced.



Jaguar knows that at the heart of a great car is a great engine. The XF's 4.2-liter V8's are compact and light, but big on performance and refinement, both engines featuring all-aluminum construction, variable camshaft phasing, four overhead camshafts and four valves per cylinder.

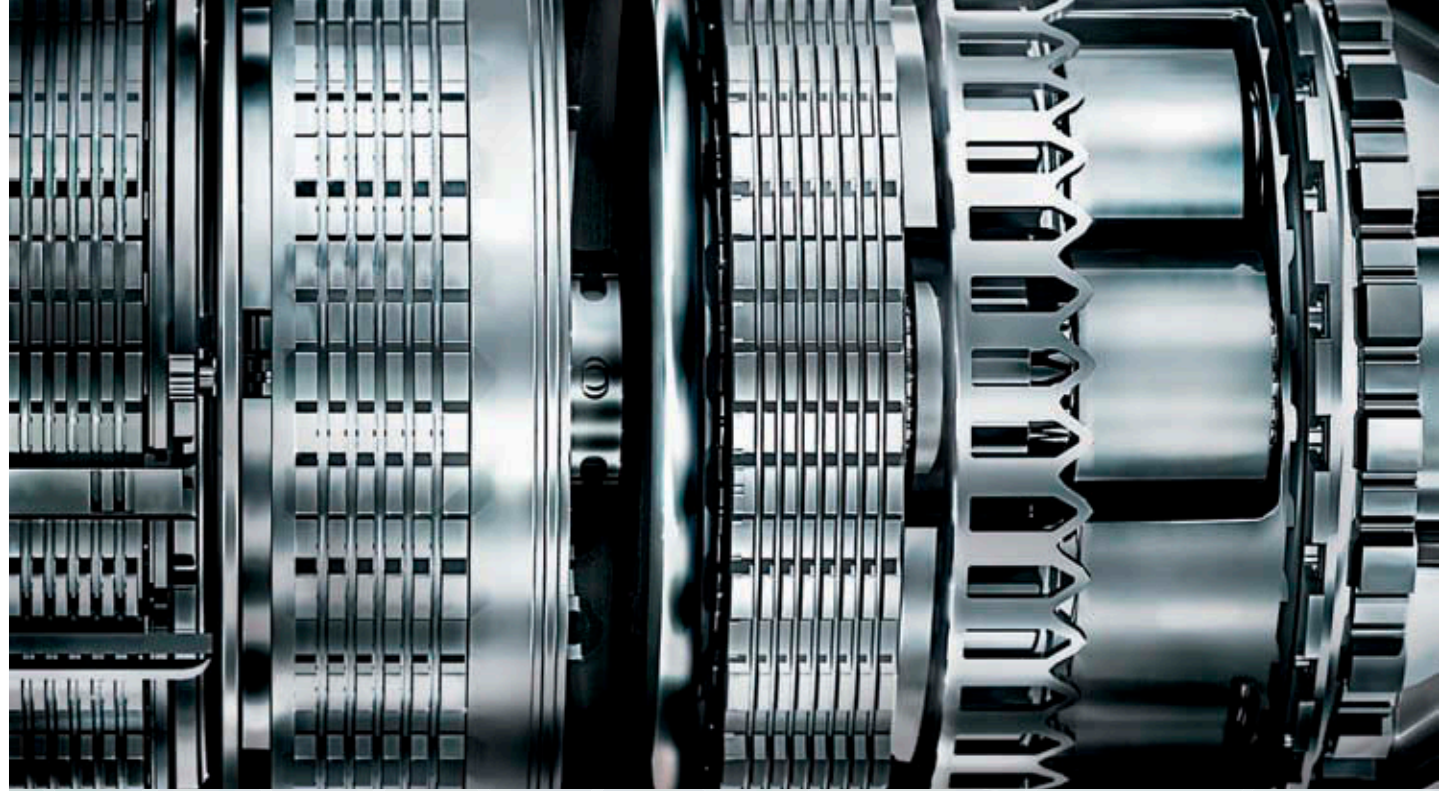


The naturally aspirated V8 develops 300 bhp and 310 lb-ft of torque, with wonderful refinement, deep character and effortless performance.

The supercharged version uses a rotor-type supercharger, driven from the crankshaft and with helical rotor gears for low noise and coated rotors for high efficiency. It develops an incredible 420 bhp, and up to 413 lb-ft of torque. That is the real beauty of mechanically driven supercharging - massive torque and instant, linear responses.







The XF's six-speed automatic transmission has superb characteristics.

The exceptionally rapid fully adaptive shift system responds to both road conditions and the way the car is driven, to give the smoothest gear shifts and optimum performance. The XF's industry-leading JaguarDrive Selector™ adds another layer of driver-centered sophistication - precise and intuitive control by using new generation shift-by-wire technology.

It offers fully automatic shifting in Drive or Sport modes, and one-touch manual selection through the XF's Jaguar Sequential Shift™ using F1 style paddle steering wheel mounted shifters. And the XF's Dynamic Stability Control (DSC) system opens up a series of shift modes on demand – from the Winter mode to the maximum involvement Dynamic mode, exclusive to the Supercharged XF.



The XF drives as dynamically as it looks.

The body structure is light but exceptionally rigid - with the strength to underpin outstanding safety credentials and the stiffness to carry a suspension whose balance of comfort and control was honed by intensive Jaguar development. For the Supercharged XF, that includes the adaptive damping strategy of Jaguar's Computer Active Technology Suspension (CATS™).

For every XF it includes Servotronic variable ratio power assisted steering - providing minimum parking effort at low speeds and maximum precision at higher speeds. With wide tires, and powerful disc brakes all round. The XF combines the comfort and refinement of a luxury sedan with the grip, balance and stability of a sports car.





R

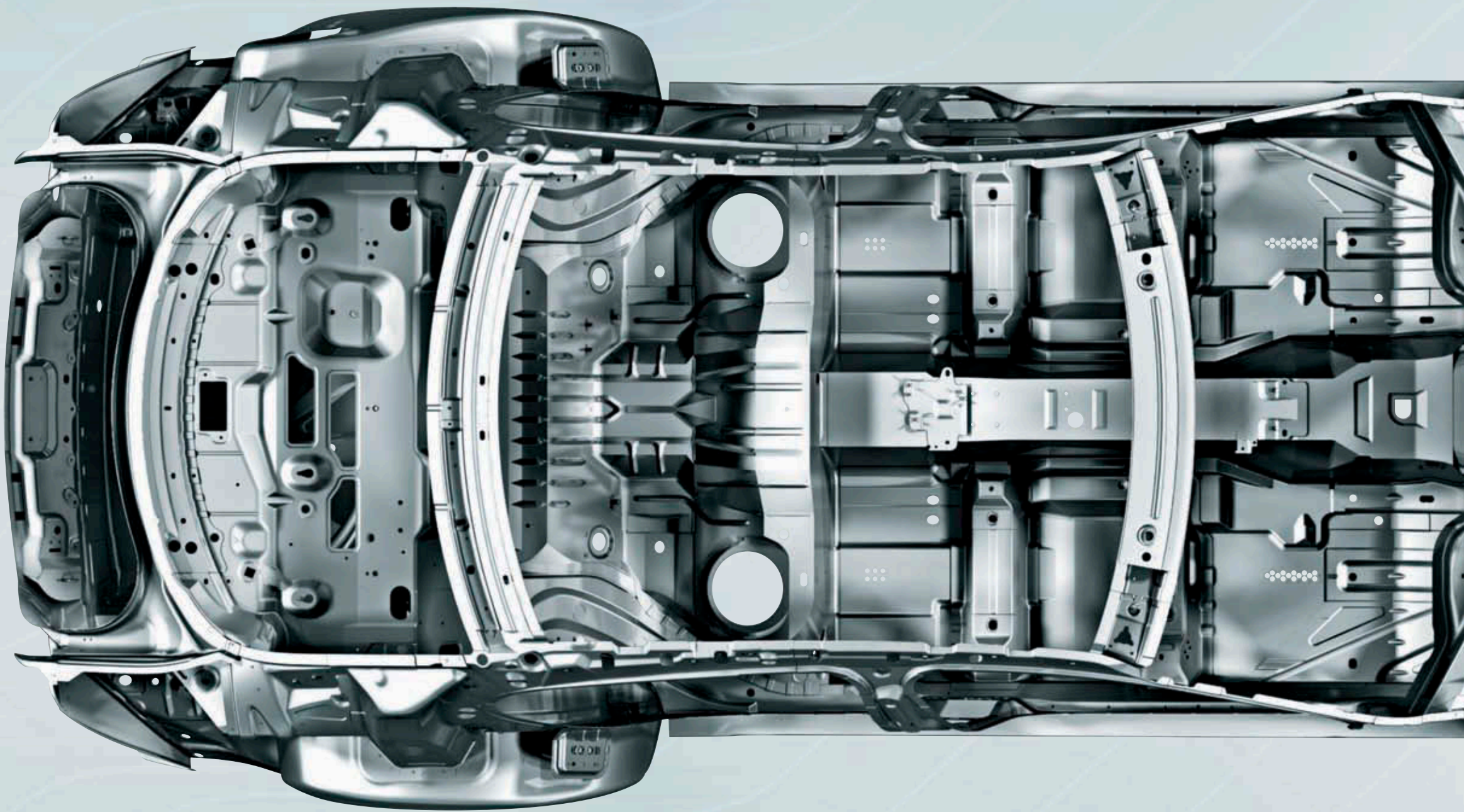
SUPERCHARGED

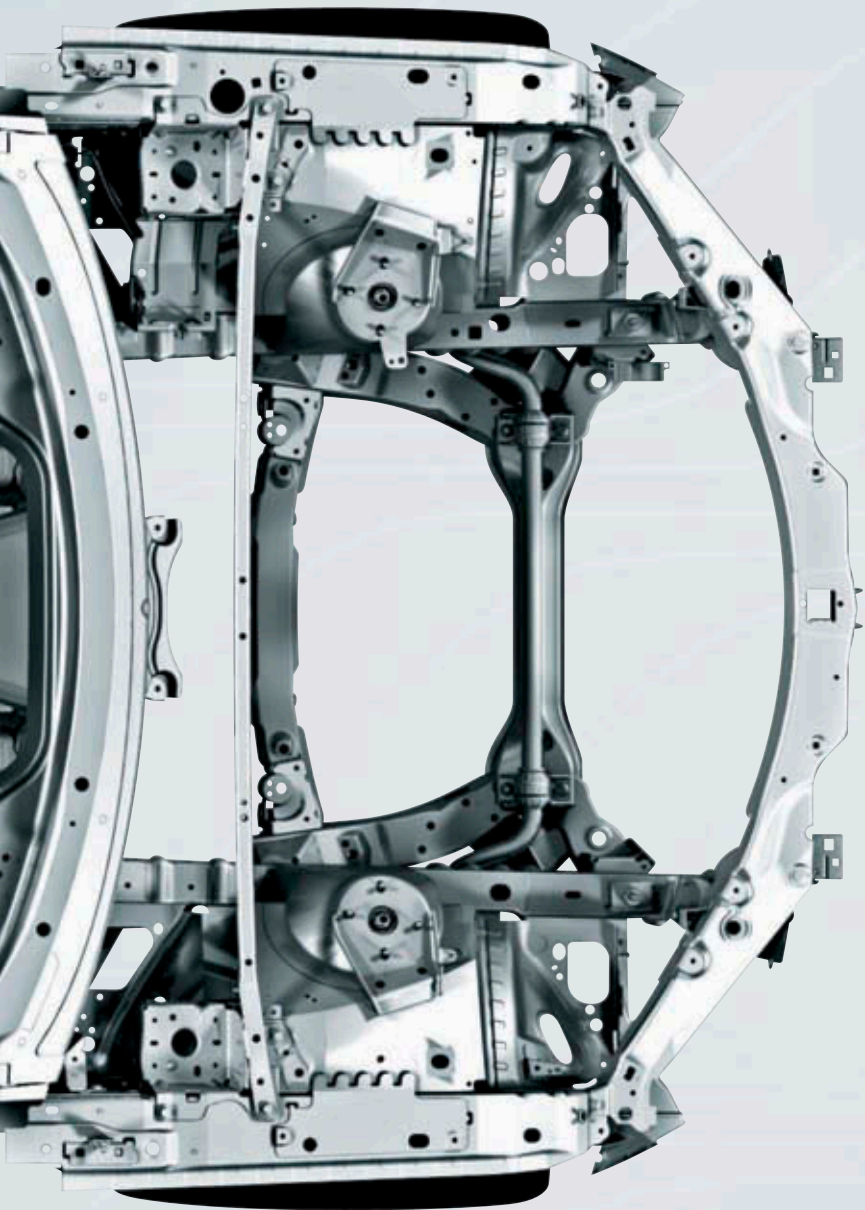


If sporting is one defining word for the XF, refined is another.

The stiff structure, smooth powertrains, and careful attention to acoustic management are essential ingredients for the XF's exceptional quietness and comfort. Outstanding aerodynamics play

their part, too, with low drag and low wind noise going hand in hand. And the XF's V8 exhaust systems are tuned for an overtly sporty sound quality.



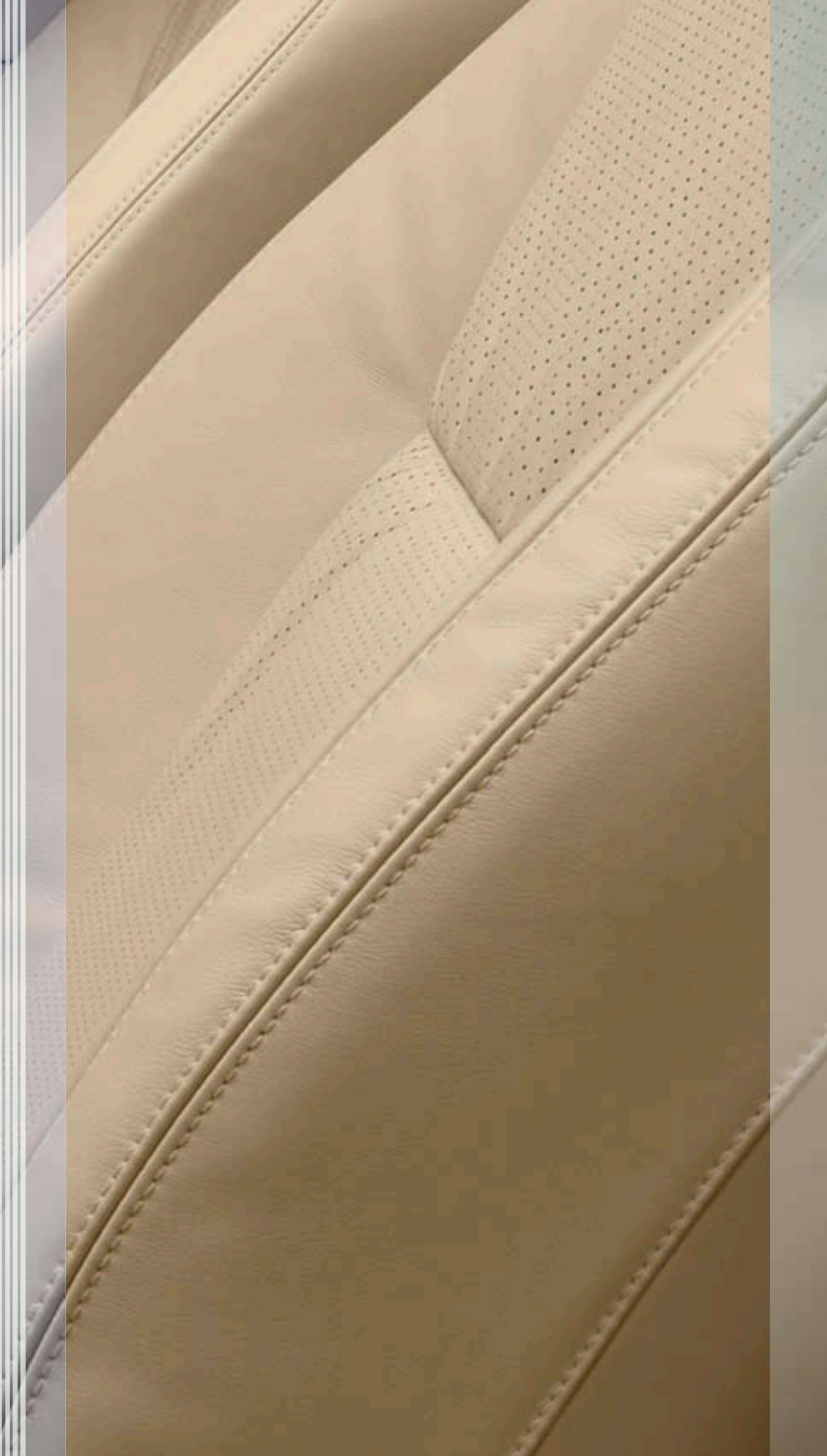


The XF's light but high-strength new generation steel body shell is shaped by Computer Aided Design to be torsionally stiff for precise handling.

Two-stage Dynamic Stability Control (DSC) plus TracDSC add to this precision under various road conditions. Emergency Brake Assist (EBA), ABS anti-lock braking, Traction Control, Cornering Brake Control (CBC) and Engine Drag Control (EDR) all help optimize braking effort and reduce braking distances without sacrificing control. And even a Tire Pressure Monitoring System (TPMS) helps prevent difficult conditions from becoming dangerous ones. These advanced active features are

further complimented by sophisticated passive safety systems such as two-stage driver and front passenger airbags, side curtain airbags, Seat Weight Sensing and Occupant Position Sensing that work as needed in individual circumstances. Add to this Active Head Restraints built into the front seats, and 'soft-landing' technology in the seat belt retractors to soften contact with the front airbags. Of course, you may never need Jaguar's innovative safety systems but they're there to deploy if you ever do.





The XF is a unique vehicle that can be further tailored to your individual style and needs.

The key choices of trim and equipment level, the color range, the leathers and veneers, the exact style and size of alloy wheels – the XF can be customized to your specifications. And when it comes to equipment and accessories, that is your choice, too – literally from the seats you sit in to the sound system you listen to, to the way you control the specific features.

STANDARD FEATURES

ENGINE AND CHASSIS

	LUXURY 4.2 V8	PREMIUM 4.2 V8	LUXURY 4.2 S/C V8
6-speed electronic automatic transmission with Jaguar Sequential Shift™ and steering wheel mounted paddles	■	■	■
300-hp V8 engine, naturally aspirated	■	■	
420-hp V8 engine, supercharged and intercooled			■
CATS™ (Computer Active Technology Suspension)			■
Trac DSC (Dynamic Stability Control)	■	■	■
Anti-lock Braking System (ABS)	■	■	■
Disc brakes, vented, front and rear	■	■	■
JaguarDrive Control™ - Winter Mode	■	■	■
JaguarDrive Control™ - Dynamic Mode			■
Electric Parking Brake (EPB)	■	■	■
Power-assisted, speed-sensitive, variable-ratio rack-and-pinion steering	■	■	■

SAFETY AND SECURITY

	LUXURY 4.2 V8	PREMIUM 4.2 V8	LUXURY 4.2 S/C V8
Dual-stage front airbags and seat-mounted side airbags for front occupants ⁽¹⁾	■	■	■
Side-impact curtain airbags for front and rear	■	■	■
Front and rear safety belts pretensioners for all seat positions	■	■	■
Active Head Restraints	■	■	■
Lower Anchors and Tethers for Children (LATCH) child-seat-tethered anchorages	■	■	■
Tire Pressure Monitoring System (TPMS)	■	■	■
Security system with perimeter alarm	■	■	■
Drive-away locking	■	■	■
Valet function for glovebox and trunk security	■	■	■

EXTERIOR TRIM AND FEATURES

	LUXURY 4.2 V8	PREMIUM 4.2 V8	LUXURY 4.2 S/C V8
Bi-Xenon headlamps with washers and automatic leveling	P	P	■
Halogen headlamps with automatic on/off	■	■	
Bright side window surrounds	■	■	■
Bright mesh grille insert with chrome surround	■	■	■
Electric glass moonroof with tilt/slide one touch operation	■	■	■
Light-Emitting Diode (LED) tail lamps	■	■	■
Exterior mirrors – electric adjustment, heated, auto-dimming with puddle lamps and memory function	■	■	■
Rain-sensing, variable-intermittent dual wipers	■	■	■
Rear parking aid (includes touch-screen visual indicators)	■	■	
Rear camera parking aid	P	P	■
Front parking aid	P	P	■

WHEELS AND TIRES

	LUXURY 4.2 V8	PREMIUM 4.2 V8	LUXURY 4.2 S/C V8
18" Cygnus alloy wheels with 245/45 HR18 all season tires	■		
19" Auriga alloy wheels with 245/40 HR19 all season tires	□	■	
20" Selena alloy wheels with 235/35 ZR20 performance tires	□	□	
20" Volans alloy wheels with 255/35 ZR20 (front) and 285/30 ZR20 (rear) performance tires			■
Lightweight alloy space saver spare wheel and tire	■	■	■

INTERIOR TRIM AND FEATURES

	LUXURY 4.2 V8	PREMIUM 4.2 V8	LUXURY 4.2 S/C V8
3-stage heated front seats	P	■	
Active Ventilated Heated and Cooled front seats		P	■
Memory function with 2 settings for driver's seat, exterior mirrors and steering column	■	■	■
10-way power front seats with 2-position driver memory	■	■	
16-way (driver) and 12-way (passenger) power front seats with 2-position driver memory			■
Leather seating surfaces	■		
Bond Grain stitched and tailored instrument panel and door top rolls	■		
Softgrain leather seats		■	■
Softgrain leather stitched and tailored instrument panel and door top rolls		■	■
Rear folding seat (60/40 split)	■	■	■
Leather 3-spoke steering wheel with Jaguar Sequential Shift™ paddles and remote controls for audio, cruise control, Bluetooth® wireless technology and (where fitted) JaguarVoice™	■	■	■
Heated leather 3-spoke steering wheel with additional functionality as above	P	□	□
Satin American Walnut veneer	■		
Burl Walnut veneer	NCO	■	NCO
Rich Oak veneer		NCO	■
Front and rear floor mats	■	■	
Premium front and rear floor mats			■
Auto-dimming interior rear view mirror	■	■	■
HomeLink®-compatible three-channel garage-door/entry-gate opener	■	■	■
Automatic climate control with air filtration and dual zone temperature control for driver and front passenger	■	■	■
7 inch touch-screen display with controls for audio, climate control, Bluetooth® telephone connectivity and navigation (where fitted)	■	■	■
Navigation system with DVD-mapping and voice guidance ⁽³⁾	P/A	■	■
JaguarVoice™ voice-activated controls	P/A	■	■
Bluetooth® wireless technology for cell phone ⁽²⁾	■	■	■

INTERIOR TRIM AND FEATURES (continued)

SIRIUS™ Satellite Radio ⁽⁴⁾	<input type="checkbox"/>	<input type="checkbox"/>	<input checked="" type="checkbox"/>
Bowers & Wilkins 440W surround sound system with 6-disc in-dash CD changer and Portable Audio Interface, a remote amplifier with Dolby® Pro Logic® II Surround Sound and 13 speakers plus Sub-Woofer ⁽⁵⁾	<input type="checkbox"/>	<input type="checkbox"/>	<input checked="" type="checkbox"/>
Jaguar 320W premium sound system with 8 speakers plus Sub-Woofer, single slot CD and Portable Audio Interface	<input checked="" type="checkbox"/>	<input checked="" type="checkbox"/>	
Jaguar 320W premium sound system with 8 speakers plus Sub-Woofer, 6-disc in-dash CD changer ⁽⁶⁾	NCO	NCO	
3.5 mm Stereo auxiliary input socket	<input checked="" type="checkbox"/>	<input checked="" type="checkbox"/>	<input checked="" type="checkbox"/>
Adaptive Cruise Control (ACC) with Forward Alert	<input type="checkbox"/>	<input type="checkbox"/>	<input type="checkbox"/>
Cruise control with Automatic Speed Limiter (ASL)	<input checked="" type="checkbox"/>	<input checked="" type="checkbox"/>	<input checked="" type="checkbox"/>
Blind Spot Monitor	P	P	<input checked="" type="checkbox"/>
Electrically operated rear window sunblind	<input type="checkbox"/>	P	<input checked="" type="checkbox"/>
One-touch up/down power windows	<input checked="" type="checkbox"/>	<input checked="" type="checkbox"/>	<input checked="" type="checkbox"/>
Front centre console with storage compartment, auxiliary power socket, armrest, and 3.5 mm Stereo auxiliary input socket	<input checked="" type="checkbox"/>	<input checked="" type="checkbox"/>	<input checked="" type="checkbox"/>
Triple front and twin rear cup holders	<input checked="" type="checkbox"/>	<input checked="" type="checkbox"/>	<input checked="" type="checkbox"/>
Phosphor blue halo illumination and Interior mood lighting	<input checked="" type="checkbox"/>	<input checked="" type="checkbox"/>	<input checked="" type="checkbox"/>
JaguarSense™ glovebox and overhead light operation	<input checked="" type="checkbox"/>	<input checked="" type="checkbox"/>	<input checked="" type="checkbox"/>
Jaguar Smart Key System™ with keyless entry		<input checked="" type="checkbox"/>	<input checked="" type="checkbox"/>
Jaguar Smart Key System™ with keyless start	<input checked="" type="checkbox"/>	<input checked="" type="checkbox"/>	<input checked="" type="checkbox"/>
Steering column with electric adjustment for height and reach with entry and exit tilt-away	<input checked="" type="checkbox"/>	<input checked="" type="checkbox"/>	<input checked="" type="checkbox"/>

OPTION PACKAGES

Advanced Vision Pack – Bi-Xenon headlamps with washers and automatic leveling, Front parking aid, Rear camera parking aid and Blind Spot Monitor	<input type="checkbox"/>	<input type="checkbox"/>	
Cold Climate Pack – 3-stage heated front seats and heated steering wheel	<input type="checkbox"/>		
Warm Climate Pack – Active Ventilated Heated and Cooled front seats and electrically operated rear-window sunblind		<input type="checkbox"/>	
Navigation Pack – Navigation system with DVD-mapping and voice guidance and JaguarVoice™ voice-activated controls	<input type="checkbox"/>		

■ Standard □ Optional A Accessory P Package NCO No Cost Option

⁽¹⁾ Always wear your safety belt and secure children in the rear seat.

⁽²⁾ See your Jaguar dealer for details of approved phone models. The Bluetooth® word mark and logos are owned by the Bluetooth SIG, Inc. and any use of such marks by Jaguar Cars Limited is under license.

⁽³⁾ Navigation pre-wire is fitted to all cars, enabling dealer installation of the fully integrated navigation feature, controlled through the standard Multimedia Display System.

⁽⁴⁾ SIRIUS™ Satellite Radio is a subscription service. Subscription is not included.

⁽⁵⁾ Bowers and Wilkins 440W Surround Sound system is only available in combination with SIRIUS™ Satellite Radio.

⁽⁶⁾ Nullifies integrated iPod interface

ALLOY WHEELS



18" Cygnus alloy



19" Auriga alloy



20" Volans alloy



20" Selena alloy

TECHNICAL SPECIFICATIONS

ENGINE

Type	90° V8 aluminum-alloy cylinder head/block, DOHC, 4 valves per cylinder
Bore	3.39 in. (86.0 mm)
Stroke	3.56 in. (90.3 mm)
Displacement	4.2-liter (256.1 cu. in.; 4196 cc)
Compression ratio	11.0:1
Induction	Naturally aspirated, continuously variable cam phasing
Engine control	Electronic throttle
Horsepower (SAE)	300 @ 6000 rpm (224 kW)
Torque (lb.-ft.)	310 @ 4100 rpm (420 Nm)

PERFORMANCE

0-60 mph	6.2 sec.
Maximum speed	121 mph (195 km/h) (electronically limited)

DRIVETRAIN

Transmission	6-speed automatic, ZF6HP26
Final drive	3.31:1

SUSPENSION

Front	Independent forged aluminum double wishbone design with 31mm anti-roll bar
Rear	Independent forged aluminum double wishbone design with 13.6mm anti-roll bar
Stability controls	Traction Control and Dynamic Stability Control (DSC)

BRAKES

System	Electronically controlled 4-channel Anti-lock Brake System (ABS) with yaw control. Active brake booster. Independent front/rear diagonal- split hydraulic circuits incorporating fluid-loss warning sensor. Electronic Parking Brake (EPB)
Front	Ventilated discs, 12.83 in. x 1.18 in. (326 mm x 30 mm)
Rear	Ventilated discs, 12.83 in. x .79 in. (326 mm x 20 mm)

4.2 S/C V8

Type	90° V8 aluminum-alloy cylinder head/block, DOHC, 4 valves per cylinder
Bore	3.39 in. (86.0 mm)
Stroke	3.56 in. (90.3 mm)
Displacement	4.2-liter (256.1 cu. in.; 4196 cc)
Compression ratio	9.1:1
Induction	Supercharged, dual air inlet boxes, twin air-liquid intercoolers, variable cam phasing
Engine control	Electronic throttle
Horsepower (SAE)	420 @ 6250 rpm (309 kW)
Torque (lb.-ft.)	413 @ 3500 rpm (553 Nm)

0-60 mph	5.1 sec.
Maximum speed	155 mph (250 km/h) (electronically limited)

Transmission	6-speed automatic, ZF6HP26
Final drive	3.07:1

Front	Independent forged aluminum double wishbone design with 31mm anti-roll bar. Computer Active Technology Suspension (CATS) damping, independent two-stage damping
Rear	Independent forged aluminum double wishbone design with 16mm anti-roll bar. Computer Active Technology Suspension (CATS) damping, independent two-stage damping
Stability controls	Traction Control and Dynamic Stability Control (DSC)

System	Electronically controlled 4-channel Anti-lock Brake System (ABS) with yaw control. Active brake booster. Independent front/rear diagonal- split hydraulic circuits incorporating fluid-loss warning sensor. Electronic Parking Brake (EPB)
Front	Ventilated discs, 13.97in. x 1.26 in. (355 mm x 32 mm)
Rear	Ventilated discs, 12.83 in. x .79 in. (326 mm x 20 mm)

WHEELS

Size and style

4.2 V8

18" x 8.5" Cygnus alloy

19" x 8.5" Auriga alloy

20" x 8.5" Selena alloy

Spare

Alloy Space saver

Tires

All Season: 245/45R18 96H

245/40R19 94H

Sport: 235/35R20 97Y X/L

4.2 S/C V8

20" x 8.5" (front) 20" x 9.5" (rear) Volans alloy

Alloy Space saver

Sport: Front - 255/35R20 97Y X/L

Rear - 285/30R20 99Y X/L

STEERING

Type

Power-assisted, speed-sensitive, variable-ratio rack-and-pinion

Power-assisted, speed-sensitive, variable-ratio rack-and-pinion

Turning circle (curb to curb)

37.68 ft. (11.48 m)

37.68 ft. (11.48 m)

BODY CONSTRUCTION

Type

Steel Monocoque

Steel Monocoque

EXTERIOR DIMENSIONS

Length

195.3 in. (4961 mm)

195.3 in. (4961 mm)

Height

57.5 in. (1460 mm)

57.5 in. (1460 mm)

Width with mirrors

80.8 in. (2053 mm)

80.8 in. (2053 mm)

Width with mirrors folded

73.9 in. (1877 mm)

73.9 in. (1877 mm)

Track

Front: 61.4 in. (1559 mm) Rear: 63.2 (1605 mm)

Front: 61.4 in. (1559 mm) Rear: 61.80 (1571mm)

Wheelbase

114.5 in. (2909 mm)

114.5 in. (2909 mm)

Coefficient of drag

0.29 Cd

0.29 Cd

Curb weight

4017 lbs. (1821 kg)

4194 lbs. (1901 kg)

INTERIOR DIMENSIONS

Headroom (with Moonroof)

Front: 39.0 in. (949 mm) Rear: 37.4 in. (948 mm)

Front: 39.0 in. (949 mm) Rear: 37.4 in. (948 mm)

Shoulder room

Front: 56.8 in. (1442 mm) Rear: 56.3 in. (1430 mm)

Front: 56.8 in. (1442 mm) Rear: 56.3 in. (1430 mm)

Legroom

Front: 41.5 in. (1055 mm) Rear: 36.6 in. (930 mm)

Front: 41.5 in. (1055 mm) Rear: 36.6 in. (930 mm)

CAPACITIES

Trunk (MVMA)

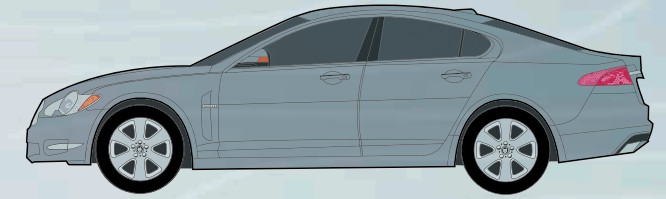
17.7 cu. ft. (500 L)

17.7 cu. ft. (500 L)

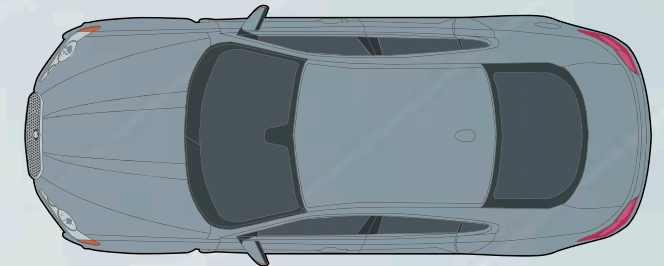
Fuel

18.4 gal. (69.5L)

18.4 gal. (69.5L)



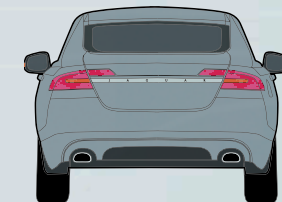
Wheelbase 114.5 in. (2909 mm)



Overall length 195.3 in. (4961 mm)



Front track
61.4 in (1559 mm)



Rear track
61.4 in (1605 mm)
61.8 in (1571 mm)

Overall height
57.5 in.
(1460 mm)



Jaguar Accessories elevate an already refined XF to suit your very personal tastes. Every accessory has been carefully designed and crafted to match the impeccable quality and style of the car.

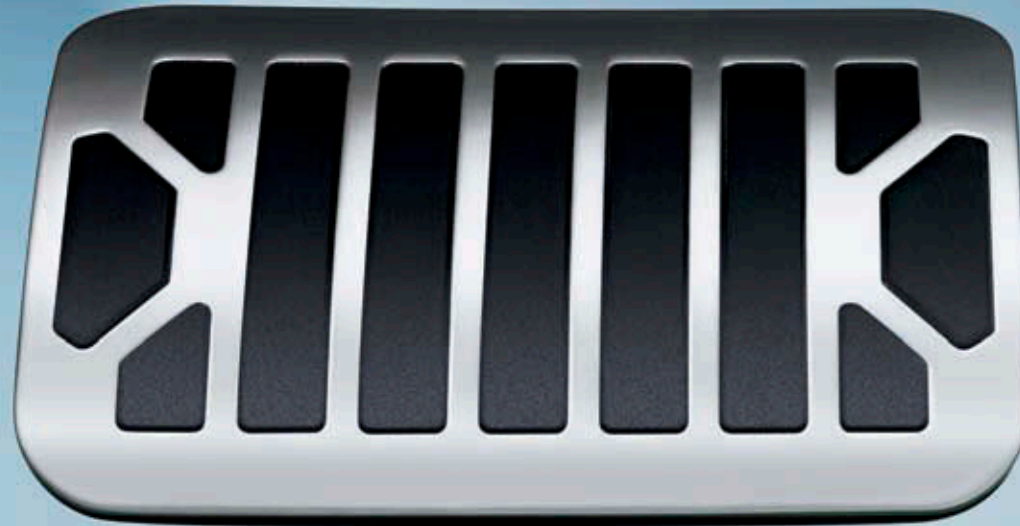


Choosing side power vents with a chrome finish, or the sporty rear spoiler will subtly make the exterior focus of the XF even more dynamic.





Jaguar Accessories are about living with your car – expressing your own personality and lifestyle.



You might like to choose the sporty bright-finished pedals, or illuminated sill tread plates highlighted by soft Phosphor blue lighting. Or to make your XF even more

luxurious, try the Rear Screen Connectivity System, with twin LCD screens to support the XF DVD player, camcorder, games player, iPod, or MP3.



The complete Jaguar experience. Buying a Jaguar may be thrilling, but it's the connection with car and company during the ownership period following, that will impress you most. This is the result of the very intentional support provided to Jaguar drivers. As one of these favored individuals, here are things you can expect:

TOTAL CARE

Seamless support for your new XF, so you can relax and drive. A combination of vehicle warranty, paint and corrosion protection, complimentary maintenance and Jaguar Assistance.

WARRANTY

Jaguar Cars offers a comprehensive, 4-year/50,000-mile (80,000-kilometer) New Vehicle Limited Warranty ⁽¹⁾ as well as a 6-year/unlimited mileage Corrosion Protection Limited Warranty.

SERVICE & ASSURANCE

When it comes to service, Jaguar is #1. At least according to JD Power who awarded Jaguar the 2007 Customer Satisfaction Award for dealership maintenance and repair service. Simply bring your Jaguar to an authorized Jaguar dealer, and the first required maintenance will be performed at no charge throughout your first year of ownership or 12,500 miles (20,000 kilometers), whichever comes first. Please refer to your vehicle's scheduled maintenance program for more information.

JAGUAR ASSISTANCE

Handled by Jaguar-trained specialists, this incident management program provides complimentary towing service, jump-starts, lockout assistance, gasoline delivery, tire changes and trip routing help, 24/7. Just call 1.800.4.JAGUAR. ⁽²⁾

JAGUAR CREDIT

Available both for individuals and businesses, Jaguar Credit offers leasing, financing and insurance packages that can be tailored to meet most needs, and will raise customer confidence and satisfaction to levels very nearly as pleasing as the feel of your new vehicle. Ask your dealer for details, or check jaguarcredit.com.

LOCAL DEALERS

Your local dealer is Jaguar's partner both in bringing you thrilling vehicles and in making your buying and ownership experience pleasant. Introduce yourself. Find out what your dealership can do for you.

JAGUARUSA.COM/JAGUAR.CA

Visit Jaguar's official web site to access a dealer locator, car configurator, price lists, model comparisons, and enthusiast links to Jaguar Clubs of North America and Jaguar Conservation Trust. Also register for owner e-newsletter periodic updates.

Jaguar Land Rover North America, LLC
555 MacArthur Blvd.
Mahwah, NJ 07430



"#1 NAMEPLATE IN CUSTOMER SATISFACTION WITH DEALER SERVICE, TWO YEARS IN A ROW ⁽³⁾"

⁽¹⁾ See your Jaguar dealer for complete details.

⁽²⁾ All elements of Jaguar Assistance are available only while your Jaguar Warranty is in effect.

⁽³⁾ Jaguar received the highest numerical score in the proprietary J.D. Power and Associates 2007-2008 Customer Satisfaction with Dealer Service (CSI) StudiesSM, 2008 study based on responses from 87,302 owners and lessees of 2005 to 2007 model-year vehicles, measuring 37 original equipment manufacturers and measures satisfaction among vehicle owners who visit the dealer service department for maintenance or repair work during the first three years of ownership. Proprietary study results are based on experiences and perceptions of owners surveyed from January-April 2008. Your experiences may vary. Visit jdpower.com

IMPORTANT NOTICE

Jaguar Cars is constantly seeking ways to improve the specification, design and production of its vehicles and alterations take place continually. While every effort is made to produce up-to-date literature, this brochure should not be regarded as an infallible guide to current specifications, nor does it constitute an offer for the sale of any particular vehicle.

Distributors and dealers are not agents of Jaguar Cars and have absolutely no authority to bind Jaguar Cars by any express or implied undertaking or representation. Illustrations in this brochure may include optional extras. Comparisons are based on manufacturer's own data and testing.

ENVIRONMENTAL NOTICE

Jaguar Cars has a vision of being amongst the world's leading companies in demonstrating progress towards sustainability. We aim to do this by contributing to a better quality of life, with corporate citizenship at the very heart of our company, and by reducing our environmental footprint through innovative design and manufacturing, minimizing resource and energy use. Environmental responsibility is a core value in Jaguar, and it is our policy to continually improve our environmental standards in all areas of business activity.

This brochure is produced using paper stock, which contains 10% recycled post consumer waste and is in compliance with The Forest Stewardship Council (FSC). FSC certification promotes environmentally appropriate, socially beneficial, and economically viable management of the world's forests





JAGUARUSA.COM

JAGUAR.CA

07|08