

Services
Technical specifications
Standard equipment - Options

159



www.alfaromeo.co.uk

Alfa 159
Alfa 159 Sportwagon



Alfa Romeo at your Service

3 YEAR ALFACARE DEALER WARRANTY†

†All Alfa Romeo UK cars are covered by 3 years unlimited mileage warranty covering parts, materials and labour. This comprises a two-year unlimited mileage manufacturer's warranty plus a further one-year unlimited mileage Dealer Warranty. Please refer to the Alfa Romeo Service and Warranty Booklet for full terms and conditions.

8 YEAR ANTI-PERFORATION WARRANTY

Subject to regular inspections being carried out, any perforation of the bodywork, due to corrosion, will be repaired free of charge of all parts and labour charges during the first 8 years.

3 YEAR PAINTWORK WARRANTY

Any paintwork defects, due to faulty materials or manufacture, will be rectified free of charge during the first 3 years.

ALFA ROMEO INFORMATION AND CUSTOMER SERVICE

A freephone number (00800 2532 0000) gives you access to our dedicated information and customer service facilities, providing you with details of Alfa Romeo dealers offering additional services such as extended workshop hours, Auto Clinic and Approved Bodyshop facilities.

Alfa Romeo also believes it is important to stay in contact

with you and will, subject to your agreement, telephone you from time to time to ensure you are happy with your Alfa Romeo and the service you receive from your dealer.

FIXED SERVICE COSTS

All Alfa Romeo dealers operate a 'Menu Pricing' programme that guarantees fixed service and maintenance costs with no hidden extras. The price you see is the price you'll pay unless you have given your consent for further work to be carried out.

Insured Products and Services

The following insured products and services are provided through **Alfa Romeo Financial Services***

3 YEAR AA CONTACT ROADSIDE ASSISTANCE†

All new Alfa Romeo cars come with 3 year's AA Contact, which includes Roadside Assistance, Home Start, Relay, Relay Plus, European Cover.

This insured service is provided free of charge and is available 24 hours a day, throughout the year and also includes access to travel information, legal advice and technical information.

ALFA ROMEO MOTOR INSURANCE

Comprehensive car insurance at competitive premiums, with up to 65% No Claims Bonus transferable from your existing policy after five years of claim free driving.

For a quotation, either ring 0800 023 2247, or visit online through www.alfaromeo.co.uk

ALFA ROMEO CONTRACT HIRE**

Very competitive quotations can be obtained through Alfa Romeo Contract Hire for companies, company car drivers

with a "User Chooser" policy or even for private customers. Contracts include full term road fund licence and AA Assistance and are also available with or without maintenance.

Contract Hire finance facilities are available subject to credit approval. Written quotations are available from Alfa Romeo Contract Hire, 240 Bath Road, Slough, Berkshire, SL1 4DX. ***

ALFA ROMEO FINANCIAL SERVICES

Who better to design a range of bespoke finance for your Alfa Romeo than Alfa Romeo? And how reassuring to know that the finance options available are as beautifully structured as the car itself. Alfa Romeo Financial Services have been created to meet the demands of the discerning Alfa Romeo driver – and as you'd expect, it offers more in every sense.

You'll find the rates on a variety of finance plans very competitive, including Alfa Romeo Preferenza, Hire Purchase, Lease Purchase or Finance Leasing. We can also offer you insurance that protects you against the

possibility of not being able to meet your payments or in the event of your vehicle being stolen or written off.

Whether you are a business or a private customer, your Alfa Romeo dealer can explain the benefits of these options and provide a bespoke quotation to help you to choose the package that best suits your needs. Beautiful cars, beautifully financed – what could be more fitting?

Written quotations are available from Alfa Romeo Financial Services, 240 Bath Road, Slough, Berkshire, SL1 4DX. ***

+ The AA support service and the third year dealer warranty are only applicable to UK vehicles sourced from Alfa Romeo UK.

* Alfa Romeo Financial Services is a trading style of FGA Capital UK Limited. FGA Capital UK Limited is authorised and regulated by the Financial Services Authority for General Insurance.

** Alfa Romeo Contract Hire is a trading style of FGA Contracts UK Limited which is an appointed representative of FGA Capital UK Limited.

*** Credit available to anyone aged 18 or over, subject to status. A guarantee and / or indemnity may be required.

www.alfaromeo.co.uk

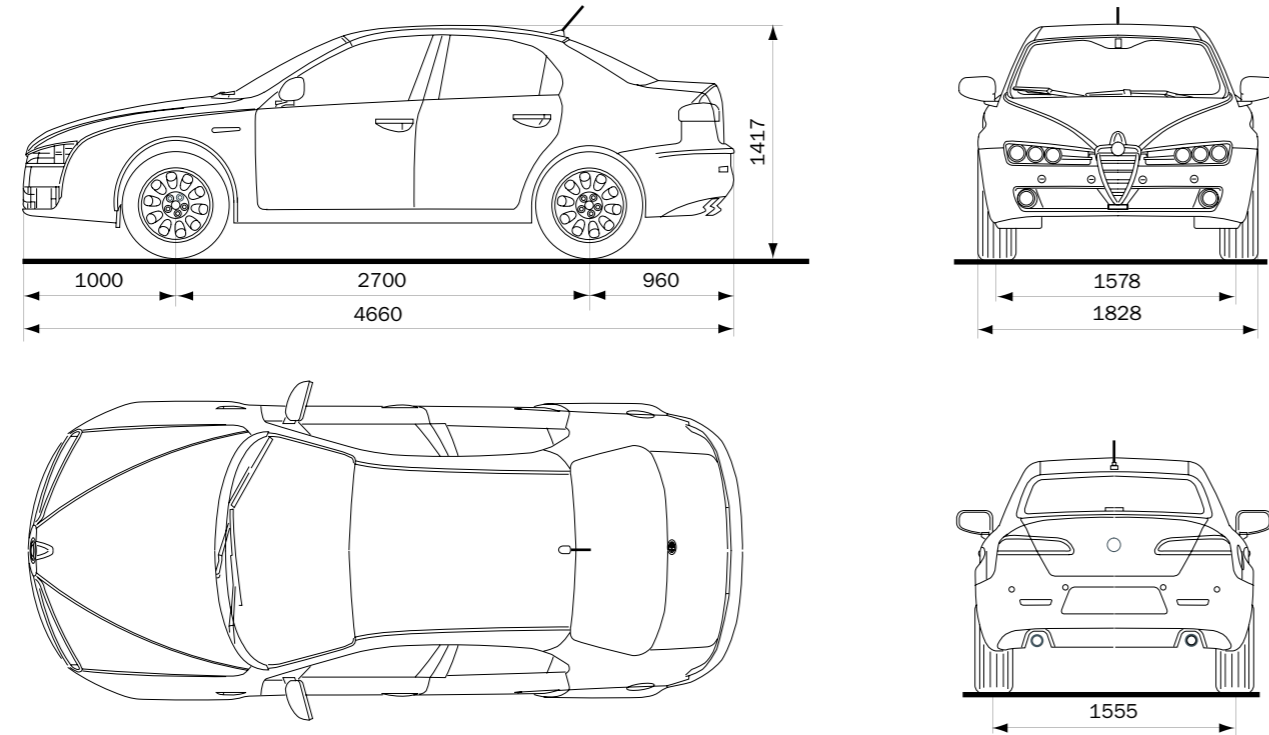
To experience the pleasure of ownership and driving your new Alfa Romeo, the journey starts on www.alfaromeo.co.uk, the latest interactive way of researching and selecting your next car. All the information you need about the company, its products, customer service support, finance and insurance, latest campaigns and the dealer network are at your fingertips. You can also read up on what the press are saying about our vehicles in our News Centre. So visit our website and arrange a test drive at your nearest Alfa Romeo dealer today.

Alfa 159 & 159 Sportwagon Technical data

CHARACTERISTICS	1.9 JTD _M 8v ECO	1.9 JTD _M 16v	1.9 JTD _M 16v QTRONIC	2.0 JTD _M 16v	2.4 JTD _M	2.4 JTD _M QTRONIC	2.2 JTS	1750 Tbi	3.2 JTS V6	CHARACTERISTICS		
No. of cylinders, arrangement	4 in line									No. of cylinders, arrangement		
Bore x stroke (mm)	82 x 90.4									Bore x stroke (mm)		
Displacement (cc)	1910									Displacement (cc)		
Compression ratio	18,0 : 1	17,5 : 1			16,5 : 1	17,0 : 1		11,3 : 1	9,5 : 1	11,25 : 1	Compression ratio	
Max. power output bhp (kW-EC) at rpm	120 (88) 4000	150 (110) 4000			170 (125) 4000	210 (154) 4000	200 (147) 4000	185 (136) 6500	200 (147) 5000	260 (191) 6300	Max. power output bhp (kW-EC) at rpm	
Peak torque Nm (kgm-EC) at rpm	280 (28.6) 2000	320 (32.6) 2000			360 (36.7) 1750	400 (40.8) 1500	400 (40.8) 2000	230 (23.4) 4500	320 (32.7) 1400	322 (32.8) 4500	Peak torque Nm (kgm-EC) at rpm	
Timing system	1 OHC (toothed belt), hydraulic tappets, Multijet direct injection with turbocharger and intercooler	2 OHCs (toothed belt), hydraulic tappets, 4 valves per cylinder						2 OHCs (chain), 4 valves per cylinder, double electro-hydraulic continuous phase variators	2 OHCs (toothed belt), 4 valves per cylinder, hydraulic tappets with roller finger	4 OHCs (chain), 4 electro-hydraulic continuous phase variators	Timing system	
Fuel feed	Multijet direct injection with turbocharger and intercooler - Bosch EDC 16C39 electronic engine management system							MED 7.6.1 electronic direct injection integrated with ignition	MED 17 direct injection with turbocharger integrated with ignition, scavenging functional mode	MED 7.6.1 electronic direct injection integrated with ignition	Fuel feed	
Exhaust pipe	One with polished tip				Double with separate mufflers and chrome tips			Double with separate mufflers and chrome tips	Double with separate mufflers and chrome tips	Double with separate mufflers and chrome tips	Exhaust pipe	
ELECTRICAL SYSTEM (12V)												
Battery: capacity (Ah) / Generator (A)	60 / 120	60 / 120	60 / 120	90 / 150	70 / 150	70 / 150	60 / 120	90 / 120	70 / 150	Battery: capacity (Ah) / Generator (A)		
TRANSMISSION												
Drive	Front	Front	Front	Front	Front	Front	Front	Front	Front	Front	Drive	
Number of gears	6 + 1R	6 + 1R	6 + 1R	6 + 1R	6 + 1R	6 + 1R	6 + 1R	6 + 1R	6 + 1R	6 + 1R	Number of gears	
Final ratio	3.350 : 1	3.650 : 1	2.666 : 1	3.545 : 1	3.075 : 1	3.545 : 1	4.176 : 1	3.941 : 1	3.895 : 1	3.895 : 1	Final ratio	
TYRES												
Standard Version	205/55 R16	205/55 R16	225/50 R17	205/55 R16	225/50 R17	225/50 R17	225/50 R17	225/50 R17	225/50 R17	225/50 R17	Standard Version	
STEERING SYSTEM												
Steering system	Rack and pinion with hydraulic servo									Steering system		
Steering diameter kerb-to-kerb (m)	11.1	11.1	11.1	11.1	11.1	11.1	11.1	11.1	11.1	11.1	Steering diameter kerb-to-kerb (m)	
SUSPENSION												
Front	High double wishbone						High double wishbone				Front	
Rear	Multilink architecture						Multilink architecture				Rear	
BRAKES - (DISCS)												
Front (mm)	Ventilated 305 x 28 D, 60 mm floating calliper				Ventilated 330 x 28 D, fixed radial calliper in aluminium with 4 Ø 42 mm pistons			Ventilated 305 x 28 D, 60 mm floating calliper		Ventilated 330 x 28 D, fixed radial calliper in aluminium with 4 Ø 42 mm pistons		Front (mm)
Rear (mm)	Solid 278 x 12 D, combined 38 mm floating calliper				Ventilated 292 x 22 D, combined 42 mm floating calliper			Solid 278 x 12 D, combined 38 mm floating calliper		Ventilated 292 x 22 D, combined 42 mm floating calliper		Rear (mm)
WEIGHTS - TANK CAPACITY												
Fuel tank (lit.)	70	70	70	70	70	70	70	70	70	70	Fuel tank (lit.)	
Kerb weight DIN (kg)	1480 [1530]	1490 [1540]	1495 [1545]	1490 [1540]	1585 [1635]	1605 [1655]	1445 [1495]	1430 [1480]	1540 [1590]	1700 [1800]	Kerb weight DIN (kg)	
Max. towable weight (kg)	1500	1500	1500	1500	1500	1500	1500	1500	1500	1500	Max. towable weight (kg)	
PERFORMANCE												
Top speed mph (km/h)	123 (197) [122 (196)]	132 (212) [130 (210)]	130 (209) [129 (207)]	136 (218) [135 (216)]	144 (231) [142 (229)]	140 (225) [139 (223)]	139 (224) [138 (222)]	147 (235) [146 (233)]	155 (250) [154 (248)]	155 (250) [154 (248)]	Top speed mph (km/h)	
Acceleration (driver + 30kg) 0-62mph (s)	10.7 [10.9]	9.2 [9.4]	9.5 [9.7]	8.8 [9.0]	8.1 [8.3]	8.3 [8.5]	8.7 [8.9]	7.7 [7.9]	7.1 [7.2]	7.1 [7.2]	Acceleration (driver + 30kg) 0-100km/h (s)	
FUEL CONSUMPTION – EMISSIONS**												
urban cycle mpg (l/100km)	42.8 (6.6) [42.2 (6.7)]	37.7 (7.5) [37.2 (7.6)]	29.7 (9.5) [29.4 (9.6)]	39.8 (7.1) [39.2 (7.2)]	30.7 (9.2) [30.7 (9.2)]	24.8 (11.4) [24.4 (11.6)]	22.1 (12.8) [21.7 (13.0)]	23.9 (11.8) [23.5 (12.0)]	17.2 (16.4) [17.1 (16.5)]	17.2 (16.4) [17.1 (16.5)]	urban cycle mpg (l/100km)	
extra-urban cycle mpg (l/100km)	64.2 (4.4) [62.8 (4.5)]	61.4 (4.6) [60.1 (4.7)]	54.3 (5.2) [53.3 (5.3)]	64.2 (4.4) [62.8 (4.5)]	52.3 (5.4) [51.4 (5.5)]	48.7 (5.8) [47.9 (5.9)]	39.8 (7.1) [39.2 (7.2)]	47.1 (6.0) [45.6 (6.2)]	35.8 (7.9) [35.8 (7.9)]	35.8 (7.9) [35.8 (7.9)]	extra-urban cycle mpg (l/100km)	
combined cycle mpg (l/100km)	54.3 (5.2) [53.3 (5.3)]	49.6 (5.7) [48.7 (5.8)]	41.5 (6.8) [40.9 (6.9)]	52.3 (5.4) [51.4 (5.5)]	41.5 (6.8) [40.9 (6.9)]	35.8 (7.9) [35.3 (8.0)]	30.7 (9.2) [30.4 (9.3)]	34.9 (8.1) [34.0 (8.3)]	25.7 (11.0) [25.4 (11.1)]	25.7 (11.0) [25.4 (11.1)]	combined cycle mpg (l/100km)	
Exhaust emissions - CO₂ (g/km)	138 [140]	150 [153]	180 [182]	142 [145]	179 [181]	208 [210]	218 [220]	189 [194]	260 [262]	260 [262]	Exhaust emissions - CO₂ (g/km)	
Emissions Standard	EU IV	EU IV	EU IV	EU V	EU IV	EU IV	EU IV	EU V	EU IV	EU IV	Emissions Standard	

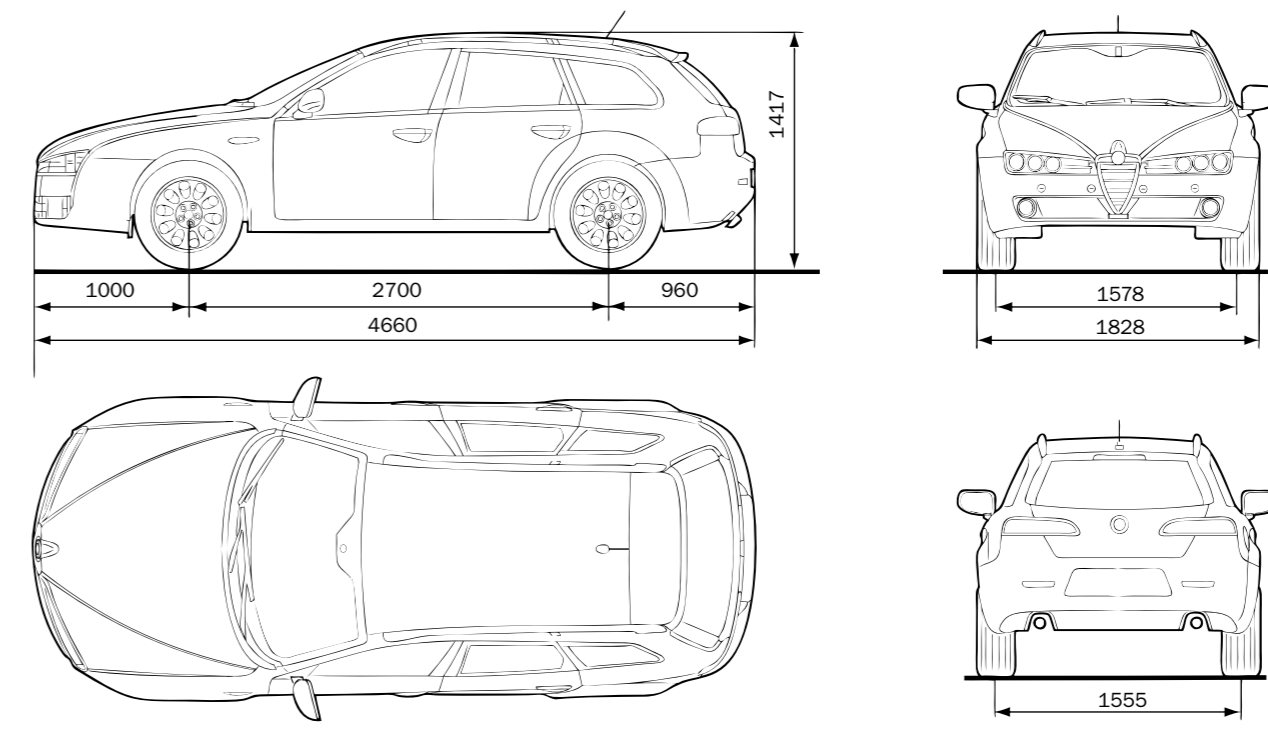
** according to 1999/100EC directive Information in brackets [...] indicates data for the Alfa 159 Sportwagon Alfa Romeo recommends SELENIA engine oil, PARAFU coolant, TUTELA functional fluids

Alfa 159 Dimensions



Dimensions expressed in mm

Alfa 159 Sportwagon Dimensions



Dimensions expressed in mm

Body - Dimensions

CHARACTERISTICS	1.9 JTDM 8v ECO 1.9 JTDM 16v 2.0 JTDM 16v	1.9 JTDM 16v QTRONIC	2.4 JTDM 2.4 JTDM QTRONIC	2.2 JTS	1750 Tbi	3.2 JTS V6	CHARACTERISTICS
No. of seats	5	5	5	5	5	5	No. of seats
No. of doors	4	4	4	4	4	4	No. of doors
Length / Width (mm)	4660 / 1828	4660 / 1828	4660 / 1828	4660 / 1828	4660 / 1828	4660 / 1828	Length / Width (mm)
Height (mm)	1417*	1422	1422	1422	1422	1422	Height (mm)
Wheelbase (mm)	2700	2700	2700	2700	2700	2700	Wheelbase (mm)
Front/rear track (mm)	1593** / 1573***	1578 / 1555	1578 / 1555	1578 / 1555	1578 / 1555	1578 / 1555	Front/rear track (mm)
Luggage space (dm ³)	40	405	405	405	405	405	Luggage space (dm ³)

* 1422 with 225/50 R17 tyres

** 1578 with 225/50 R17 tyres

*** 1555 with 225/50 R17 tyres

Body - Dimensions

CHARACTERISTICS	1.9 JTDM 8v ECO 1.9 JTDM 16v 2.0 JTDM 16v	1.9 JTDM 16v QTRONIC	2.4 JTDM 2.4 JTDM QTRONIC	2.2 JTS	1750 Tbi	3.2 JTS V6	CHARACTERISTICS
No. of seats	5	5	5	5	5	5	No. of seats
No. of doors	4	4	4	4	4	4	No. of doors
Length / Width (mm)	4660 / 1828	4660 / 1828	4660 / 1828	4660 / 1828	4660 / 1828	4660 / 1828	Length / Width (mm)
Height (mm)	1417*	1422	1422	1422	1422	1422	Height (mm)
Wheelbase (mm)	2700	2700	2700	2700	2700	2700	Wheelbase (mm)
Front/rear track (mm)	1593** / 1573***	1578 / 1555	1578 / 1555	1578 / 1555	1578 / 1555	1578 / 1555	Front/rear track (mm)
Luggage space (dm ³)	445	445	445	445	445	445	Luggage space (dm ³)

* 1422 with 225/50 R17 tyres

** 1578 with 225/50 R17 tyres

*** 1555 with 225/50 R17 tyres

Alfa 159 & 159 Sportwagon Standard equipment and options

	1.9 JTDm 8V ECO / 1.9 JTDm 16v / 2.0 JTDm 16v / 1750 TBI					2.4 JTDm / 2.2 JTS / 3.2 JTS V6		
	Turismo	Turismo Sport	Elegante	Lusso	TI	Elegante	Lusso	TI
EXTERIOR FITTINGS								
Black longitudinal roof bars (Sportwagon only)	○	○	○	○	○	○	○	○
Aluminium longitudinal roof bars (Sportwagon only)	○	○	○	○	○	○	○	○
Dark tinted windows (Sportwagon only)	○	○	○	○	○	○	○	○
Electrically folding, adjustable and heated wing mirrors	○	○	-	●	○	-	●	○
Chrome effect wing mirrors	-	-	-	-	●	-	-	●
Hydrodynamic windscreen washer jets	●	●	●	●	●	●	●	●
Electrically operated sunroof	○	○	○	○	○	○	○	○
Metallic paint	○	○	○	○	○	○	○	○
Special Alfa red paint	○	○	○	○	○	○	○	○
Twin exhaust tail pipes	- ⁽¹⁾	- ⁽¹⁾	- ⁽¹⁾	- ⁽¹⁾	- ⁽¹⁾	●	●	●
[415] 16" 7 Whole design alloy wheels with 205/55 R16 tyres	●	-	-	-	-	-	-	-
[56J] 16" New design alloy wheels with 215/55 tyres	○	-	-	-	-	-	-	-
[4WQ] 17" Sports double spoke Alloy Wheels with 225/50 tyres	-	●	○	○	-	○	○	-
[55E] 17" Spoke design Alloy Wheels with 225/50 R 17 tyres	○ ⁽¹⁾	-	●	●	-	●	●	-
[5A6] 18" 5 holes design Alloy Wheels with 235/45 R18 tyres (Dark Titanium Finish)	-	○	-	-	-	-	-	-
[421] 18" 7 holes design Alloy wheels with 235/45 tyres	-	-	○	○	-	○	○	-
[4AY] 18" Turbine design Alloy Wheels with 235/45 R18 tyres	-	-	○	○	-	○	○	-
[435] 19" TI alloy wheels with 235/40 tyres	-	-	-	-	●	-	-	●
[5ER] 19" TI alloy wheels with 235/40 tyres (Dark Titanium Finish)	-	-	-	-	○	-	-	○
INTERIOR EQUIPMENT								
Electric front and rear windows with one touch function and anti-intrusion sensor	●	●	●	●	●	●	●	●
Three rear head restraints adjustable for height	●	●	●	●	●	●	●	●
Stainless steel kick plates	-	-	●	●	●	●	●	●
Front armrest with temperature controlled storage compartment	●	●	●	●	●	●	●	●
Rear armrest with ski tunnel	●	●	●	●	●	●	●	●
Electronic key with remote central locking and boot release	●	●	●	●	●	●	●	●
Dual zone automatic climate control with split temperature and distribution function (air nozzles at rear, pollen filter with active carbon filter and AQS ⁽²⁾)	●	●	●	●	●	●	●	●
Tri-zone automatic climate control (air nozzles at rear, pollen filter with active carbon filter and AQS ⁽²⁾)	-	-	-	●	○	-	●	○

⁽¹⁾ = Standard on 1750 TBI ⁽²⁾ AQS = Air Quality System ● = standard ○ = optional - = not available

Alfa 159 & 159 Sportwagon Standard equipment and options

	1.9 JTDm 8V ECO / 1.9 JTDm 16v / 2.0 JTDm 16v / 1750 TBI					2.4 JTDm / 2.2 JTS / 3.2 JTS V6		
	Turismo	Turismo Sport	Elegante	Lusso	TI	Elegante	Lusso	TI
INTERIOR EQUIPMENT								
Leather steering wheel and gear knob	●	-	●	●	-	●	●	-
Sports leather steering-wheel and gear knob	-	●	-	-	●	-	-	●
Steering wheel mounted audio controls	●	●	●	●	●	●	●	●
Steering wheel adjustable for distance and height	●	●	●	●	●	●	●	●
5 mm thick glass panes on front windows	●	●	●	●	●	●	●	●
Glove compartment with courtesy light	●	●	●	●	●	●	●	●
Luggage compartment with courtesy light	●	●	●	●	●	●	●	●
Front puddle lights	●	●	●	●	●	●	●	●
Diffused ambient lighting in cockpit	●	●	●	●	●	●	●	●
Courtesy lights with reading spotlights front and rear	●	●	●	●	●	●	●	●
Courtesy mirror on passenger sun visors with built-in light	●	●	-	-	-	-	-	-
Courtesy mirror on driver and passenger sun visors with built-in light	-	-	●	●	●	●	●	●
Engine oil gauge	●	●	●	●	●	●	●	●
Interior carpeting in tufted velour	●	●	●	●	●	●	●	●
Provision to install luggage / ski roof racks	●	●	●	●	●	●	●	●
Internal electric boot release switch	●	●	●	●	●	●	●	●
Internal central locking / release switch for doors	●	●	●	●	●	●	●	●
Electronic start / stop button	●	●	●	●	●	●	●	●
Softouch metallic finish centre console & trim inserts	●	-	-	-	-	-	-	-
Aluminium centre console & trim inserts	-	-	●	●	-	●	●	-
Brushed aluminium centre console & trim inserts	-	●	-	-	●	-	-	●
Sports seats	-	-	-	-	●	-	-	●
Front seats with three-stage heating	○	○	○	○	●	○	○	●
60 / 40 split folding rear seats with storage compartment in armrest	○	○	○	○	●	○	○	●
Front seats manually adjustable (height, rake, lumbar adjustment for driver and passenger)	●	●	●	●	●	●	●	●
Mechanical tilting action for driver and passenger seats	●	●	●	●	●	●	●	●
Electrically adjustable front seats with three stage heating and electrically folding, adjustable, heated wing mirrors, with memory on driver's side	○	○	○	○	○	○	○	○

● = standard ○ = optional - = not available

Alfa 159 & 159 Sportwagon Standard equipment and options

INTERIOR EQUIPMENT	1.9 JTDM 8V ECO / 1.9 JTDM 16v / 2.0 JTDM 16v / 1750 TBI					2.4 JTDM / 2.2 JTS / 3.2 JTS V6		
	Turismo	Turismo Sport	Elegante	Lusso	TI	Elegante	Lusso	TI
Flocked Cloth upholstery	●	-	-	-	-	-	-	-
Sports Cloth upholstery	-	●	-	-	-	-	-	-
AlfaTex fabric upholstery*	-	-	●	-	-	●	-	-
Leather upholstery	○	○	-	●	-	-	●	-
Sports Leather upholstery	-	-	-	-	●	-	-	●
Frau® Pieno Fiore leather upholstery with electrically adjustable front seats with three stage heating and electrically folding wing mirrors, with memory on driver's side	-	-	-	○	-	-	○	-
On-board instrumentation with multifunctional display	●	●	●	●	●	●	●	●
Trip computer (two independent devices for range, fuel consumption, average speed, distance travelled)	●	●	●	●	●	●	●	●
Windscreen with infrared reflecting layer, dark tinted anti-dazzle band & heated wiper blade area	○	○	○	○	○	○	○	○
Cruise control	●	●	●	●	●	●	●	●
Aluminium sports pedals	-	-	-	-	●	-	-	●
SAFETY / MECHANICAL PARTS								
Full size driver and passenger front airbags	●	●	●	●	●	●	●	●
Full size window airbags (front and rear protection)	●	●	●	●	●	●	●	●
Front side airbags (chest and pelvis protection)	●	●	●	●	●	●	●	●
Driver knee airbag	●	●	●	●	●	●	●	●
Passenger knee airbag	○	○	○	○	○	○	○	○
Front passenger airbag deactivation key	●	●	●	●	●	●	●	●
Alfa code Immobiliser	●	●	●	●	●	●	●	●
Volumetric antitheft alarm with cut-out switch and anti-lifting module	●	●	●	●	●	●	●	●
VDC with Hill Holder (ABS + ASR + EBD + Brake Assistant)	●	●	●	●	●	●	●	●
ASR/VDC cut-out control	●	●	●	●	●	●	●	●
Fire prevention system	●	●	●	●	●	●	●	●

● = standard ○ = optional - = not available

Alfa 159 & 159 Sportwagon Standard equipment and options

SAFETY / MECHANICAL PARTS	1.9 JTDM 8V ECO / 1.9 JTDM 16v / 2.0 JTDM 16v / 1750 TBI					2.4 JTDM / 2.2 JTS / 3.2 JTS V6		
	Turismo	Turismo Sport	Elegante	Lusso	TI	Elegante	Lusso	TI
Isofix attachments on rear seats with third upper central attachment	●	●	●	●	●	●	●	●
Front seat belts with degressive load limiter and pretensioner on buckle	●	●	●	●	●	●	●	●
Anti-intrusion bars in front and rear doors	●	●	●	●	●	●	●	●
Self-adjusting rear seat belt	●	●	●	●	●	●	●	●
Belt not buckled buzzer, timed and deactivated when the car is stationary	●	●	●	●	●	●	●	●
Headlight washer system with windscreen liquid level sensor	○	○	○	○	○	○	○	○
Halogen headlights	●	●	●	●	●	●	●	●
Bi-Xenon headlights (includes headlight washer system)	○	○	○	○	○	○	○	○
Parking sensor built into rear bumper with audible obstacle alert	○	○	●	●	●	●	●	●
Parking sensors built into front and rear bumpers with audible obstacle alert and warning light on multifunctional display	○	○	○	○	○	○	○	○
Brake pad wear and braking system failure sensor	●	●	●	●	●	●	●	●
Red Brembo brake callipers with Alfa Romeo designation	-	-	-	-	●	-	-	●
Lowered sports suspension and body kit	-	-	-	-	●	-	-	●
"Follow me home" headlights	●	●	●	●	●	●	●	●
Fog lights	●	●	●	●	●	●	●	●
Child safety locks on rear doors	●	●	●	●	●	●	●	●
Fuel cap secured by central locking	●	●	●	●	●	●	●	●
Particulate filter (DPF) on diesel versions	●	●	●	●	●	●	●	●
Space saver spare wheel	●	●	●	●	●	●	●	●
AUDIO / PHONE / NAVIGATION								
Car radio with audio CD player (8 speakers)	●	●	-	-	-	-	-	-
Car radio with audio CD player & MP3 reader (8 speakers)	○	○	●	●	●	●	●	●

● = standard ○ = optional - = not available

Alfa 159 & 159 Sportwagon Standard equipment and options

AUDIO / PHONE / NAVIGATION	1.9 JTDm 8V ECO / 1.9 JTDm 16v / 2.0 JTDm 16v / 1750 TBI					2.4 JTDm / 2.2 JTS / 3.2 JTS V6		
	Turismo	Turismo Sport	Elegante	Lusso	TI	Elegante	Lusso	TI
CD auto-changer (10 disc)	○	○	○	○	○	○	○	○
Hi-Fi Bose® sound system with digital amplifier (8 speakers + 1 central + subwoofer)	○	○	○	○	○	○	○	○
Blue&Me™ (Bluetooth™ hands-free system with voice recognition and media player with USB port in the glove box)	○	●	●	●	●	●	●	●
Blue&Me™ Nav (Satellite navigation system with pictograms on the multifunctional display and Bluetooth™ hands-free system with voice recognition and media player with USB port in the glove box)	○	○	○	○	○	○	○	○
Satellite navigation system by maps with 6.5" colour display, GSM hands-free phone and voice controls	○	○	○	○	○	○	○	○

● = standard ○ = optional

Visibility pack (rain, dusk & condensation sensors, AQS ⁽¹⁾ & electrochromic rearview mirror with deactivation button)	1.9 JTDm 8V ECO / 1.9 JTDm 16v / 2.0 JTDm 16v / 1750 TBI					2.4 JTDm / 2.2 JTS / 3.2 JTS V6		
	Turismo	Turismo Sport	Elegante	Lusso	TI	Elegante	Lusso	TI
Saloon utility pack (carpet mats, luggage retaining nets)	○	○	○	○	○	○	○	○
Sportwagon utility pack (carpet covers, front net, luggage retaining net)	○	○	○	○	○	○	○	○

⁽¹⁾ AQS = Air Quality System ● = standard ○ = optional

Alfa 159 & 159 Sportwagon Alloy Wheels



[415] 16" 7 Whole design alloy wheels with 205/55 R16 tyres



[56J] 16" New design alloy wheels with 215/55 tyres



[4WQ] 17" Sports double spoke Alloy Wheels with 225/50 tyres



[55E] 17" Spoke design Alloy Wheels with 225/50 R 17 tyres



[4A Y] 18" Turbine design Alloy Wheels with 235/45 R18 tyres



[5A6] 18" 5 Whole design alloy wheels with 235/45 R18 tyres



[421] 18" 7 holes design Alloy wheels with 235/45 tyres



[435] 19" TI alloy wheels with 235/40 tyres



[5ER] 19" TI alloy wheels with 235/40 tyres

Alfa 159 & 159 Sportwagon Colour Combinations

Trim Level	Standard on Turismo		Standard on Turismo Sport		Standard on Elegante		Optional on Turismo, standard on Lusso				Optional on Lusso			Standard on TI		Optional on TI	
Material	Flocked Cloth		Sports Cloth		Alfatex®		Leather				Frau® Pieno Fiore leather			Sports Seats with Sports Leather		Electrically adjustable Sports Seats with Sports Leather (OPT 788)	
Seat colour	Black	Grey	Black	Black/Red	Black	Grey	Black	Natural	Red	Beige	Black	Grey	Beige	Black	Natural	Black	Natural
Dashboard colour	Black	Black/Grey	Black	Black	Black	Black/Grey	Black	Black	Black	Black/Beige	Black	Black/Grey	Black/Beige	Black	Black	Black	Black
Opt code	173	196	352	373	145	127	402	465	401	445	908	907	905	529	505	540	551
SOLID																	
601 Black	●	●	●	●	●	●	●	●	●	●	●	●	●	●	●	●	●
296 Ghiaccio White	●	●	●	●	●	●	●	●	●	●	●	●	●	●	●	●	●
SPECIAL (option 5B2)																	
289 Alfa red	●	●	●	●	●	●	●	●	-	●	●	●	●	●	●	●	●
METALLIC (option 210)																	
565 Alfa silver	●	●	●	●	●	●	●	●	●	●	●	●	●	●	●	●	●
660 Indaco grey	●	●	●	●	●	●	●	●	●	●	●	●	●	●	●	●	●
567 Oltremare Blue	●	●	●	●	●	●	●	●	●	●	●	●	●	-	-	-	-
568 Titanio grey	●	●	●	●	●	●	●	●	●	●	●	●	●	-	-	-	-
583 Rubino red	●	●	●	●	●	●	●	●	-	●	●	●	●	-	-	-	-
651 Stromboli grey	●	●	●	●	●	●	●	●	●	●	●	●	●	●	●	●	●
876 Carbonio black	●	●	●	●	●	●	●	●	●	●	●	●	●	●	●	●	●

● = recommended - = not available

All information, descriptions and illustrations are given solely as a guide. Actual product specifications may differ due to manufacturing requirements. Alfa Romeo reserves the right to make any changes to its products it considers necessary. Some of the equipment described and/or photographed in this brochure are options.

Alfa Romeo - Marketing
Printed in UK - 07/09

www.alfaromeo.co.uk or call 00800 2532 0000

www.alfaromeo.co.uk

