

Specifications

**Alfa 159 - Alfa 159 Sportwagon**



# Alfa 159 Specifications

ENGINE	2.2 JTS		1.9 JTD		2.4 JTD		3.2 JTS V6	
No. of cylinders, layout	4 in line, transversely at front		4 in line, transversely at front		5 in line, transversely at front		60 degree V6, transversely at front	
Capacity (cc)	2198		1910		2387		3195	
Bore x stroke (mm)	86 x 94.6		82 x 90.4		82 x 90.4		85.6 x 89	
Compression ratio	11.3:1		17.5:1		17.0:1		11.25:1	
Max. power (kW)	136		110		147		191	
at rpm	6500		4000		4000		6200	
Peak torque (Nm)	230		320		400		322	
at rpm	4500		2000		2000		4500	
Timing system	4 valves per cylinder continuous double variable valve timing		4 valves per cylinder Multijet direct injection with turbo and intercooler		4 valves per cylinder Multijet direct injection with turbo and intercooler		4 valves per cylinder continuous double variable valve timing	
Exhaust system	Double outlets with separate silencers and chromed tips		Single outlet with silencer		Double outlets with separate silencers and chromed tips		Double outlets with separate silencers and chromed tips	
<b>TRANSMISSION</b>								
Drive	Front Wheel Drive		Front Wheel Drive		Front Wheel Drive		All Wheel Drive	
	<b>MANUAL</b>	<b>SELESPEED</b>	<b>MANUAL</b>	<b>QTRONIC</b>	<b>MANUAL</b>	<b>QTRONIC</b>	<b>MANUAL</b>	<b>QTRONIC</b>
1st	3.818:1	3.818:1	3.818:1	4.148:1	3.769:1	4.148:1	3.917:1	4.148:1
2nd	2.353:1	2.353:1	2.158:1	2.370:1	2.040:1	2.370:1	2.040:1	2.370:1
3rd	1.571:1	1.571:1	1.302:1	1.556:1	1.321:1	1.556:1	1.365:1	1.556:1
4th	1.146:1	1.146:1	0.959:1	1.115:1	0.954:1	1.155:1	1.048:1	1.155:1
5th	0.943:1	0.943:1	0.744:1	0.859:1	0.755:1	0.859:1	0.846:1	0.859:1
6th	0.861:1	0.861:1	0.614:1	0.686:1	0.623:1	0.686:1	0.740:1	0.686:1
Reverse	3.545:1	3.545:1	3.545:1	3.394:1	3.538:1	3.394:1	3.749:1	3.394:1
Final drive ratio	4.176:1	4.176:1	3.650:1	2.670:1	3.545:1	3.075:1	3.895:1	3.750:1
<b>PERFORMANCE (SEDAN/WAGON)</b>								
Top speed (km/h)	222/220	222/220	210/208	207/205	228/226	224/222	240/237	240/237
Acceleration (0-100 km/h)	8.8/9.0	8.8/9.0	9.4/9.6	9.6/9.8	8.4/8.6	8.4/8.6	7.0/7.2	7.2/7.4
<b>FUEL CONSUMPTION (L/100 km)* (SEDAN/WAGON)</b>								
City cycle	13.0/13.2	12.8/13.0	8.1/8.3	9.9/10.1	9.2/9.4	11.6/11.9	16.9/17.0	18.4/18.6
Highway cycle	7.3/7.3	7.1/7.1	4.8/4.8	5.5/5.6	5.4/5.6	5.9/6.0	8.4/8.4	8.6/8.6
Combined	9.4/9.5	9.2/9.3	6.0/6.1	7.1/7.2	6.8/7.0	8.0/8.1	11.5/11.6	12.2/12.3
CO <sup>2</sup> emissions (g/km)	221/224	217/219	159/162	187/190	179/185	210/215	273/275	289/291
Fuel tank (litres)	70	70	70	70	70	70	69	69
<b>WHEELS</b>								
Alloys	17" Diamond Flat Spoke		17" Round Spoke		17" Elegant Wire Spoke		18" Alfa Sport	
Tyres	225/50		225/50		225/50		235/45	
Full size spare alloy wheel	●		●		●		●	

\*Fuel consumption figures tested under controlled factory conditions. Actual fuel consumption figures may vary based on driving style and prevailing conditions

● = Standard ○ = Option — = Not available

STEERING	2.2 JTS		1.9 JTD		2.4 JTD		3.2 JTS V6	
Rack and pinion with hydraulic power steering	●		●		●		●	
Turning circle (m)	11.1		11.1		11.1		11.1	
<b>SUSPENSION</b>								
Front	High quadrilateral double wishbone							
Rear	Independent multi-link system with quad bi-tube shock absorbers							
<b>BRAKES</b>								
Front (mm)	305 x 28 ventilated, with 60mm diameter piston				Brembo 330 x 28 ventilated fixed radial caliper in aluminium with 4 x 42mm pistons			
Rear (mm)	278 x 12 solid combined 38mm piston and floating caliper				292 x 22 with 41mm piston and floating caliper			
<b>DIMENSIONS</b>								
Wheelbase (mm)	2700		2700		2700		2700	
Luggage space (litres)	SEDAN	WAGON	SEDAN	WAGON	SEDAN	WAGON	SEDAN	WAGON
Rear seats upright	405	445	405	445	405	445	405	445
Rear seats down	770	1235	770	1235	770	1235	770	1235
<b>SPECIFICATIONS</b>								
Leather upholstery	●		●		●		●	
Trip Computer	●		●		●		●	
Cruise Control	●		●		●		●	
Dual zone automatic climate control with split temperature and distribution function (air nozzles at rear, pollen filter and active carbon filter)	●		●		●		●	
Remote central locking with boot release	●		●		●		●	
Steering wheel mounted radio controls	●		●		●		●	
Electric front and rear window with one touch function	●		●		●		●	
Electric adjust rearview mirrors	●		●		●		●	
Stainless steel kick plates	●		●		●		●	
Front armrest with temperature control storage compartment	●		●		●		●	
Rear armrest with ski tunnel	●		●		●		●	
Leather steering wheel	●		●		●		●	
Height and reach adjust steering wheel	●		●		●		●	
Front and rear reading lights	●		●		●		●	
Courtesy mirror on driver and passenger sun visors with built-in light	●		●		●		●	
Temperature oil gauge	●		—		—		●	
Turbo pressure gauge	—		●		●		—	
Internal boot release	●		●		●		●	
Electronic start/stop button	●		●		●		●	
Metallic finish centre console and trim inserts	●		●		●		●	
Height adjust driver and front passenger seats	●		●		●		●	
60/40 split rear seats with storage compartment in armrest	●		●		●		●	
Electric adjust front heated seats with 3 position memory	○		○		○		●	

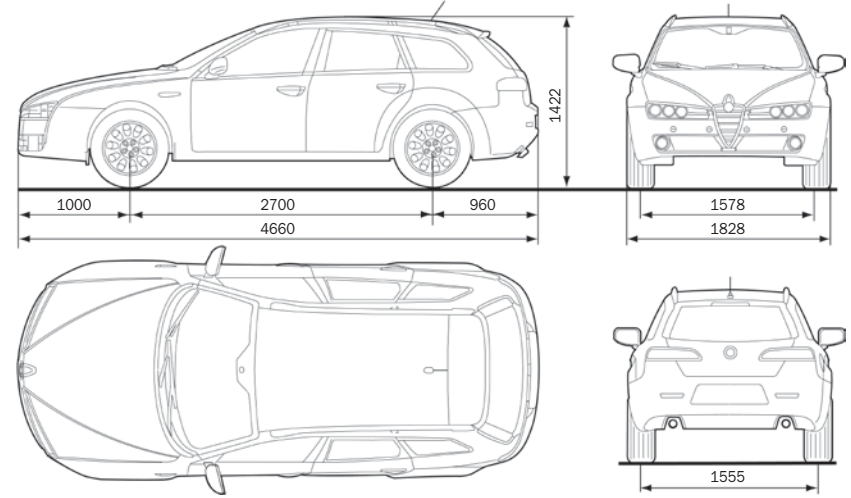
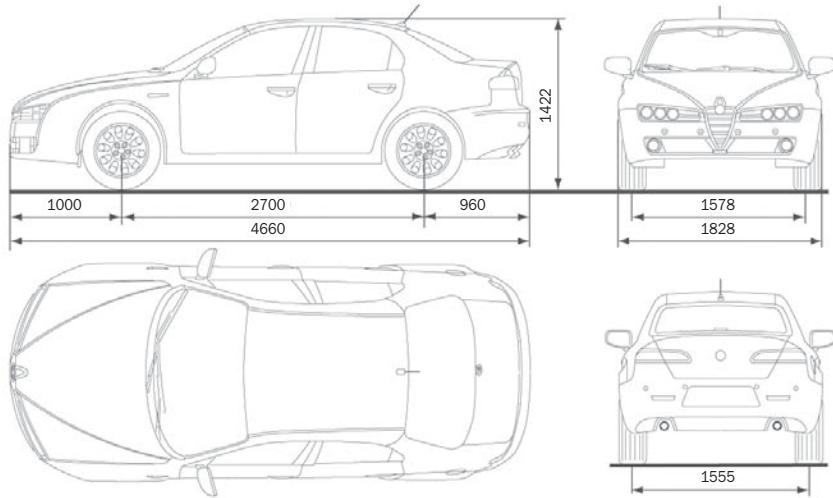
● = Standard   ○ = Option   — = Not available

SAFETY	2.2 JTS	1.9 JTD	2.4 JTD	3.2 JTS V6
Two stage driver and passenger airbags	●	●	●	●
Front and rear window airbags	●	●	●	●
Front side airbags	●	●	●	●
Driver's knee airbag	●	●	●	●
Immobiliser	●	●	●	●
VDC with hill holder	●	●	●	●
ABS brakes with ASR & EBD	●	●	●	●
Front seatbelts with load limiter and pretensioner	●	●	●	●
Rear parking sensors	●	●	●	●
Auto on front headlights	●	●	●	●
Auto dimming rearview mirror	●	●	●	●
Auto rain sensing wipers	●	●	●	●
Auto door locks	●	●	●	●
Bi-xenon headlights with washers	—	—	—	●
Front and rear foglamps	●	●	●	●
Child safety locks	●	●	●	●
Fuel cap secured by central locking	●	●	●	●
<b>AUDIO</b>				
Premium 8 speaker CD Player with RDS radio	●	●	●	●
10 disc CD changer	○	○	○	●
Hi-Fi Bose sound system with digital amplifier (8 speakers + 1 central + subwoofer)	—	—	—	●
Hands-free Bluetooth phone recognition with MP3 USB Port	●	●	●	●
<b>OPTIONS</b>				
Metallic paint	○	○	○	○
Electric adjust sunroof	○	○	○	○
Electric adjust front heated seats with 3 position memory	○	○	○	●
18" Alfa Sport Alloy Wheel (421)	○	○	○	●
18" Alfa Wire Spoke Wheel (439)	○	○	○	○
<b>ADDITIONAL SPORTWAGON FEATURES</b>				
Roof rails	●	●	●	●
Rear wiper washer	●	●	●	●
Rear window lip spoiler	●	●	●	●
Cargo cover	●	●	●	●
Netting divider system	●	●	●	●
Rear power socket	●	●	●	●

\*When Satellite Navigation GSM is fitted, Bluetooth and USB are not available

● = Standard    ○ = Option    — = Not available

## Alfa 159 Dimensions / Alloy wheels



433 - 2.2 JTS Petrol  
17" Diamond Flat Spoke Alloy Wheel



420 - 1.9 JTD Diesel  
17" Round Spoke Wheel



432 - 2.4 JTD Diesel  
17" Elegant Wire Spoke Alloy Wheel



421 - 3.2 JTS Petrol  
18" Alfa Sport Alloy Wheel



439 - Option  
18" Wire Spoke Alloy Wheel

Enjoy full peace of mind with 3 year 100,000km AlfaCare warranty, 6 years against perforating corrosion, 3 years on paintwork, 3 year AlfaCare Roadside Assist.

Alfa Romeo cars are imported and distributed by Ateco Automotive Australia Pty Ltd., who reserve the right to alter specifications, equipment and pricing at any time, without warning or notice. Please consult your authorised Alfa Romeo dealer for full details as to current pricing, standard and optional equipment, accessories, specifications and availability. Heritage Building, Campus Business Park, 350 Parramatta Road, Homebush NSW 2140, Australia. Tel: (02) 9701 8044 Fax: (02) 9701 3544. Ateco Automotive Pty. Limited. ABN 34 000 486 706.

Printed November 2007. Part No. ARP071024.

Dealer's stamp





[www.alfaromeo.com.au](http://www.alfaromeo.com.au)