

■ Standard equipment □ Optional equipment – Not available

Safety	X6 xDrive35i	X6 xDrive50i	X6 xDrive30d	X6 xDrive35d
Active headrests front	■	■	■	■
Airbags:				
– Driver and front passenger airbags (with seat occupancy detector)	■	■	■	■
– Head airbags (for front and 2nd row passengers)	■	■	■	■
– Side airbag for driver and front passenger, integrated into seat	■	■	■	■
Alarm system	□	□	□	□
Brakes:				
– Disc brakes at the front, inner-vented	■	■	■	■
– Disc brakes at the rear, inner-vented	■	■	■	■
Central locking with electronic immobiliser , crash sensor	■	■	■	■
Child seat ISOFIX attachment in the rear	■	■	■	■
Dynamic Braking Lights	■	■	■	■
Dynamic Stability Control (DSC, incl. ABS, CBC and traction control DTC) with additional functions	■	■	■	■
Hill Descent Control (HDC)	■	■	■	■
Parking brake , electromechanical, with Auto-Hold function	■	■	■	■
Rollover sensor	■	■	■	■
Safety body shell:				
– Bumper system with impact cushions in aluminium at the front and steel at the rear; bumpers regenerate to their original shape in collisions of up to 4 km/h, deformation elements front and rear at up to 15 km/h	■	■	■	■
– Door-integrated side impact protection	■	■	■	■
Seat belts:				
– Ergonomic belt system at the rear with 3-point seat belts for all seats	■	■	■	■
– Inertia-reel seat belts with pyrotechnical belt tensioner and belt force governor	■	■	■	■

Exterior design	X6 xDrive35i	X6 xDrive50i	X6 xDrive30d	X6 xDrive35d
Aluminium running boards	□	□	□	□
Double kidney grille with kidney slats in Black (X6 xDrive50i and X6 xDrive35d Titanium-coloured) and chrome surround	■	■	■	■
Exterior line, Aluminium satinated	□	□	□	□
Exterior mirrors in body colour , lower segment in black, electrically adjustable, aspherical and heated, tinted glass	■	■	■	■
Metallic paint	□	□	□	□
Roof railing in Black matt or Silver colour	□	□	□	□
Shadow Line , high-gloss	□	□	□	□

Equipment packages	X6 xDrive35i	X6 xDrive50i	X6 xDrive30d	X6 xDrive35d
Navigation system Professional* , with integrated preparation for Bluetooth mobile phone , telematics-compatible (incl. voice control, BMW Assist* and BMW Online*)	□	□	□	□
Sports package (incl. sports seats with electric adjustment, star-spoke 258 light-alloy wheels with mixed tyres and Individual roofliner in Anthracite)	□	□	□	□

* Not available in all countries. Please consult your BMW partner.

■ Standard equipment □ Optional equipment – Not available

Wheels	X6 xDrive35i	X6 xDrive50i	X6 xDrive30d	X6 xDrive35d
Runflat indicator and runflat tyres	■	■	■	■
Wheels:				
– Light-alloy wheels star-spoke 232, 9 J x 19-inch with 255/50 R 19 runflat tyres	■	□	■	■
– Light-alloy wheels V-spoke 257, 9 J x 19-inch with 255/50 R 19 runflat tyres	□	■	□	□
– Light-alloy wheels star-spoke 258 with mixed tyres, 9 J x 19-inch with 255/50 R 19 tyres at the front, 10 J x 19-inch with 285/45 R 19 runflat tyres at the rear (only in combination with sports package)	□	□	□	□
– Light-alloy wheels Y-spoke 214 with mixed tyres, 10 J x 20-inch with 275/40 R 20 tyres at the front, 11 J x 20-inch with 315/35 R 20 runflat tyres at the rear	□	□	□	□
– Light-alloy wheels star-spoke 259 with mixed tyres, 10 J x 20-inch with 275/40 R 20 tyres at the front, 11 J x 20-inch with 315/35 R 20 runflat tyres at the rear	□	□	□	□

Interior design	X6 xDrive35i	X6 xDrive50i	X6 xDrive30d	X6 xDrive35d
Instrument panel with circular speedometer and rev counter, plus tank level and fuel consumption gauges	■	■	■	■
Interior trims:				
– Aluminium Flywheel black	□	□	□	□
– Brushed Aluminium, Shadow, fine grain	□	□	□	□
– Fine-wood trim Ash Grain	□	■	□	□
– Fine-wood trim Bamboo Grain, dark	□	□	□	□
– Graphite, matt	■	–	■	■
Roofliner in Anthracite	□	□	□	□
Upholstery:				
– Alcantara/leather combination	□	□	□	□
– Exclusive Nappa leather, extended	□	□	□	□
– Nevada leather	□	□	□	□
– Nevada leather, perforated (only in combination with active seat ventilation)	□	□	□	□
– Twill Cloth	■	■	■	■

Transmission and technology	X6 xDrive35i	X6 xDrive50i	X6 xDrive30d	X6 xDrive35d
6-cylinder in-line diesel engine with four-valve technology	–	–	■	■
6-cylinder in-line petrol engine with four-valve technology	■	–	–	–
6-speed automatic transmission with Steptronic and gearshift paddles on the sports leather steering wheel	■	■	■	■
8-cylinder V petrol engine with four-valve technology	–	■	–	–
Active Steering incl. Servotronic	□	□	□	□
Adaptive Drive (Dynamic Drive and EDC)	□	□	□	□
Brake Energy Regeneration	■	■	■	■
Common Rail Technology	–	–	■	■
Diesel particle filter	–	–	■	■
Double-joint spring strut front axle	■	■	■	■
Double-VANOS , double variable camshaft control	■	■	–	–
Dynamic Performance Control for effective power distribution at the rear axle	■	■	■	■

■ Standard equipment □ Optional equipment – Not available

Transmission and technology	X6 xDrive35i	X6 xDrive50i	X6 xDrive30d	X6 xDrive35d
Emissions standard: EU4	■	■	■ ¹	■ ¹
High Precision Injection (petrol direct injection)	■	■	–	–
Multilink rear axle	■	■	■	■
Self-levelling with pneumatic rear suspension	□	■	□	□
Turbocharger with variable turbine geometry	–	–	■	–
Twin Turbo	■	■	–	–
Variable Twin Turbo	–	–	–	■
xDrive (all-wheel drive system with variable torque distribution)	■	■	■	■

Driver assistance	X6 xDrive35i	X6 xDrive50i	X6 xDrive30d	X6 xDrive35d
Cruise control with braking function	■	■	■	■
Head-up Display	□	□	□	□
High-beam assistant	□	□	□	□
Park Distance Control (PDC) , front (standard at the rear)	□	□	□	□
Rear view camera	□	□	□	□

Light and sight	X6 xDrive35i	X6 xDrive50i	X6 xDrive30d	X6 xDrive35d
Adaptive Headlights with variable light distribution including turning lights	□	□	□	□
Exterior mirrors with automatic anti-glare function, incl. fold-in function and automatic parking function	□	□	□	□
Fog lights with free-form reflector incl. heated front windscreen washer nozzles and exterior mirrors	■	■	■	■
Interior mirror with automatic anti-glare function	■	■	■	■
Lights package incl. vicinity lights integrated in exterior door handles, door trim and interior door handle lighting, rear reading lights and rear footwell illumination	□	□	□	□
Rain sensor , incl. automatic driving lights control	■	■	■	■
Xenon Headlights for high and low beam incl. automatic headlight range control, headlight washing system and four light rings (daytime driving and parking lights)	■	■	■	■

Interior equipment	X6 xDrive35i	X6 xDrive50i	X6 xDrive30d	X6 xDrive35d
Automatic air conditioning	■	–	■	–
Automatic air conditioning, 2-zone (incl. AAR, condensation and solar sensors and residual heat function) with air outlets in the rear	□	■	□	■
Automatic air conditioning, 4-zone (with separate temperature control in the rear)	□	□	□	□
Climate comfort windscreen	□	□	□	□
Seats/seat comfort:				
– 4 seats, incl. 2 rear seats with sporty individual character and integral head-restraints	■	■	■	■
– Active seats for driver and passenger	□	□	□	□
– Comfort seats for driver and front passenger, electric seat adjustment with additional functions incl. lumbar support	□	□	□	□
– Lumbar support for driver and front passenger, electrically adjustable	□	□	□	□
– Rear seats, asymmetrically foldable (60:40)	■	■	■	■
– Seat heating for driver and front passenger	□	□	□	□
– Seat heating in the rear	□	□	□	□

For an explanation of the footnotes see the following page.

■ Standard equipment □ Optional equipment – Not available

Interior equipment	X6 xDrive35i	X6 xDrive50i	X6 xDrive30d	X6 xDrive35d
– Seat adjustment, electric	□	■	□	■
– Seat adjustment, partially electric	■	–	■	–
– Sports seats for driver and front passenger (incl. electric seat adjustment)	□	□	□	□
Steering column adjustment , electric, in height and length	□	■	□	■
Steering wheel heating	□	□	□	□
Steering wheels:				
– Sports leather steering wheel, three-spoke, multifunction	■	■	■	■
Sun blinds for rear side windows	□	□	□	□
Windscreen with grey shade band	■	■	■	■

Comfort and interior equipment	X6 xDrive35i	X6 xDrive50i	X6 xDrive30d	X6 xDrive35d
Adaptive fastening system	□	□	□	□
Comfort access system (for keyless entry and engine start)	□	□	□	□
Cup holders , front and rear	■	■	■	■
Glass roof , electric, tilt/slide functions, convenient operation via vehicle key	□	□	□	□
Skibag	□	□	□	□
Start/Stop button	■	■	■	■
Storage facilities with anti-slip lining in the doors , front, centre console, storage box in luggage compartment (lockable)	■	■	■	■
Storage package (incl. 12-V socket, net and lashing rails in luggage compartment)	□	□	□	□
Tailgate , with intermediate stop function	■	■	■	■
Tailgate operation , automatic	□	□	□	□
Window lifts , electrical, with one-touch control, comfort switch and trap release	■	■	■	■

Entertainment, communication and information	X6 xDrive35i	X6 xDrive50i	X6 xDrive30d	X6 xDrive35d
BMW ConnectedDrive – Telematics Services: *				
– BMW Assist	□	□	□	□
– BMW Online	□	□	□	□
– BMW TeleServices	□	□	□	□
Control Display , 6.5-inch	■	■	■	■
Controller	■	■	■	■
Functional bookmarks	■	■	■	■
Navigation system Professional* with 8.8" colour display, arrow and map display, CD and DVD drive for navigation DVD and voice control	□	□	□	□
Navigation system Professional* , with integrated preparation for Bluetooth mobile phone, telematics-compatible (incl. voice control, BMW Assist* and BMW Online*)	□	□	□	□
Preparation for mobile phone Business with Bluetooth interface including comfort connection for mobile phone music player and BMW Assist*	□	□	□	□
Radio/audio:				
– AUX-IN connection in centre console	■	■	■	■
– CD changer for six CDs, in glove compartment	□	□	□	□

¹ The X6 xDrive30d and xDrive35d comply with emissions standard EU4 (N1-G3). * Not available in all countries. Please consult your BMW partner.

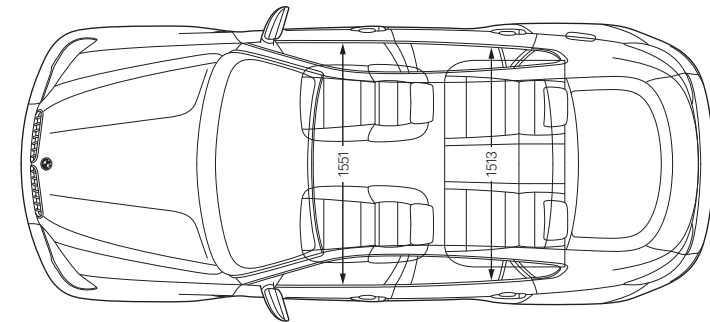
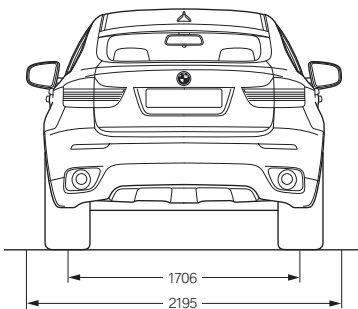
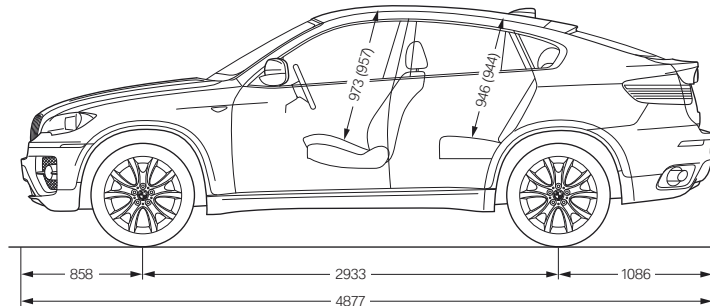
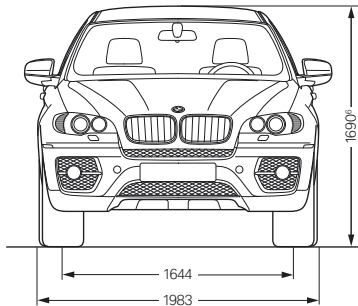
■ Standard equipment □ Optional equipment – Not available

Entertainment, communication and information	X6 xDrive35i	X6 xDrive50i	X6 xDrive30d	X6 xDrive35d
– DAB tuner	□	□	□	□
– DVD changer in the glove compartment, with multi-channel audio system	□	□	□	□
– DVD system in the rear	□	□	□	□
– HiFi loudspeaker system	□	□	□	□
– HiFi system Professional	□	□	□	□
– Radio BMW Professional, incl. MP3-compatible CD drive	■	■	■	■
– USB/audio interface	□	□	□	□
TV function	□	□	□	□

Technical data		X6 xDrive35i	X6 xDrive50i	X6 xDrive30d	X6 xDrive35d
Weight					
Unladen EU ¹	kg	2,145	2,265	2,150	2,185
Max. permissible	kg	2,670	2,840	2,675	2,710
Permitted load	kg	600 [650]	650	600 [650]	600 [650]
Permitted axle load, front/rear	kg	1,280/1,470	1,400/1,520	1,280/1,470	1,320/1,480
Permitted roof load	kg	100	100	100	100
Permitted trailer load, unbraked	kg	750	750	750	750
Permitted trailer load, braked, max. 12% gradient	kg	2,700/3,500 ⁵	3,500	2,700/3,500 ⁵	2,700/3,500 ⁵
Permitted trailer load, braked, max. 8% gradient	kg	2,700/3,500 ⁵	3,500	2,700/3,500 ⁵	2,700/3,500 ⁵
Engine²					
Cylinders/valves		6/4	8/4	6/4	6/4
Capacity	cc	2979	4395	2993	2993
Max. output	kW (hp) rpm	225 (306) 5,800–6,250	300 (407) 5,500–6,400	173 (235) 4,000	210 (286) 4,400
Max. torque	Nm rpm	400 1,300–5,000	600 1,750–4,500	520 2,000–2,750	580 1,750–2,250
Transmission					
Standard transmission ratios	I/II :1 III/IV :1 V/VI/R :1	4.17/2.34 1.52/1.14 0.87/0.69/3.40	4.17/2.34 1.52/1.14 0.87/0.69/3.40	4.17/2.34 1.52/1.14 0.87/0.69/3.40	4.17/2.34 1.52/1.14 0.87/0.69/3.40
Final drive ratio	:1	3.91	3.64	3.64	3.64
Performance					
Top speed	km/h	240	250 ⁴	220	236
Acceleration 0–100 km/h	s	6.7	5.4	8.0	6.9
Fuel consumption³					
Urban	l/100 km	14.9	17.6	10.4	10.5
Extra-urban	l/100 km	8.6	9.5	7.0	7.1
Combined	l/100 km	10.9	12.5	8.2	8.3
CO ₂ emissions	g/km	262	299	217	220
Tank capacity, approx.	l	85	85	85	85

For an explanation of the footnotes see the following page.

Technical data	X6 xDrive35i	X6 xDrive50i	X6 xDrive30d	X6 xDrive35d
Wheels				
Tyre dimensions	255/50 R 19	255/50 R 19	255/50 R 19	255/50 R 19
Wheel dimensions	9 J x 19	9 J x 19	9 J x 19	9 J x 19
Material	light-alloy	light-alloy	light-alloy	light-alloy



¹ The figure quoted includes a 90 per cent tank filling, 68 kg for the driver and 7 kg for luggage. Unladen weight applies to vehicles with standard specification. Optional equipment may increase this figure.
² The petrol engines are designed for RON 98 fuel. They may also be run on RON 95 with a slight decrease in power output.
³ All engines meet the EU4 (N1) emissions standard, the new X6 xDrive30d and X6 xDrive35d comply with emissions standard EU4 (N1-G3). Fuel consumption is determined in accordance with the ECE driving cycle made up of approximately one third urban and two thirds extra-urban driving (based on the distance covered). CO₂ emissions are measured in addition to fuel consumption. Fuel consumption is determined for vehicles with standard equipment. Optional equipment (such as wider tyres) can have a significant impact on fuel consumption and on performance.
⁴ Electronically limited.
⁵ In conjunction with the special option increased trailer load.
⁶ Height with roof railing is 1699 mm.

Values in [] apply to vehicles with self-levelling pneumatic rear suspension or in combination with Adaptive Drive.

The BMW X6 shown in this brochure has the exterior colour Vermilion red metallic. The upholstery is Nevada leather Oyster, with interior trim in Bamboo Grain, dark.

All dimensions in the technical drawings in millimetres. Height includes roof antenna. Luggage compartment capacity (VDA method) 570 – 1,450 litres. Values in () are for vehicles with a sliding roof.