

■ Standard equipment □ Optional equipment – Not available

| Safety | X6 xDrive35i | X6 xDrive50i | X6 xDrive30d | X6 xDrive35d |
|--|--------------|--------------|--------------|--------------|
| Airbags: | | | | |
| – Driver and front passenger airbags (with seat occupancy detector) | ■ | ■ | ■ | ■ |
| – Head airbags (for front and second-row passengers) | ■ | ■ | ■ | ■ |
| – Side airbag for driver and front passenger, integrated into seat | ■ | ■ | ■ | ■ |
| Active headrests front | ■ | ■ | ■ | ■ |
| Alarm system | □ | □ | □ | □ |
| Brake force display | ■ | ■ | ■ | ■ |
| Brakes: | | | | |
| – Disc brakes at the front, inner-vented | ■ | ■ | ■ | ■ |
| – Disc brakes at the rear, inner-vented | ■ | ■ | ■ | ■ |
| Central locking with electronic immobiliser, crash sensor | ■ | ■ | ■ | ■ |
| Child seat ISOFIX attachment in the rear | ■ | ■ | ■ | ■ |
| Dynamic Stability Control (DSC, incl. ABS, CBC and traction control DTC) with additional functions | ■ | ■ | ■ | ■ |
| Hill Descent Control (HDC) | ■ | ■ | ■ | ■ |
| Parking brake , electromechanical, with Auto-Hold function | ■ | ■ | ■ | ■ |
| Rollover sensor | ■ | ■ | ■ | ■ |
| Safety body shell: | | | | |
| – Bumper system with impact cushions in aluminium at the front and steel at the rear; bumpers regenerate to their original shape in collisions of up to 4 km/h, deformation elements front and rear at up to 15 km/h | ■ | ■ | ■ | ■ |
| – Door-integrated side impact protection | ■ | ■ | ■ | ■ |
| Seat belts: | | | | |
| – Ergonomic belt system at the rear with 3-point seat belts for all seats | ■ | ■ | ■ | ■ |
| – Inertia-reel seat belts with pyrotechnical belt tensioner and belt force governor | ■ | ■ | ■ | ■ |

| Exterior design | X6 xDrive35i | X6 xDrive50i | X6 xDrive30d | X6 xDrive35d |
|---|--------------|--------------|--------------|--------------|
| Aluminium running boards | □ | □ | □ | □ |
| Double kidney grille with kidney slats in Black (X6 xDrive50i and X6 xDrive35d titanium-coloured) and chrome surround | ■ | ■ | ■ | ■ |
| Exterior mirrors in body colour , lower segment in black, electrically adjustable, aspherical and heated, tinted glass | ■ | ■ | ■ | ■ |
| Metallic paint | □ | □ | □ | □ |
| Roof railing in matt Black or Silver colour | □ | □ | □ | □ |
| Satin Chrome , high-gloss | □ | □ | □ | □ |

■ Standard equipment □ Optional equipment – Not available

| Equipment packages | X6 xDrive35i | X6 xDrive50i | X6 xDrive30d | X6 xDrive35d |
|---|--------------|--------------|--------------|--------------|
| Navigation system Professional* , with integrated preparation for Bluetooth mobile phone, telematics-compatible (incl. voice control, BMW Assist* and BMW Online*) | □ | □ | □ | □ |
| Sports package (incl. sports seats with electric adjustment, star-spoke 258 light-alloy wheels with mixed tyres and Individual roofliner in Anthracite) | □ | □ | □ | □ |

| Wheels | X6 xDrive35i | X6 xDrive50i | X6 xDrive30d | X6 xDrive35d |
|--|--------------|--------------|--------------|--------------|
| Runflat indicator and runflat tyres | ■ | ■ | ■ | ■ |
| Wheels: | | | | |
| – Light-alloy wheels star-spoke 232, 9 J x 19-inch with 255/50 R 19 runflat tyres | ■ | □ | ■ | ■ |
| – Light-alloy wheels V-spoke 257, 9 J x 19-inch with 255/50 R 19 runflat tyres | □ | ■ | □ | □ |
| – Light-alloy wheels star-spoke 258 with mixed tyres, 9 J x 19-inch with 255/50 R 19 tyres at the front, 10 J x 19-inch with 285/45 R 19 runflat tyres at the rear (only in combination with sports package) | □ | □ | □ | □ |
| – Light-alloy wheels Y-spoke 214 with mixed tyres, 10 J x 20-inch with 275/40 R 20 tyres at the front, 11 J x 20-inch with 315/35 R 20 runflat tyres at the rear | □ | □ | □ | □ |
| – Light-alloy wheels star-spoke 259 with mixed tyres, 10 J x 20-inch with 275/40 R 20 tyres at the front, 11 J x 20-inch with 315/35 R 20 runflat tyres at the rear | □ | □ | □ | □ |

| Interior design | X6 xDrive35i | X6 xDrive50i | X6 xDrive30d | X6 xDrive35d |
|--|--------------|--------------|--------------|--------------|
| Instrument panel with circular speedometer and rev counter, plus tank level and fuel consumption gauges | ■ | ■ | ■ | ■ |
| Interior trims: | | | | |
| – Aluminium Flywheel black | □ | □ | □ | □ |
| – Brushed Aluminium, Shadow, fine grain | □ | □ | □ | □ |
| – Fine-wood trim Ash Grain | □ | ■ | □ | □ |
| – Fine-wood trim Bamboo Grain, dark | □ | □ | □ | □ |
| – Graphite, matt | ■ | – | ■ | ■ |
| Roofliner in Anthracite | □ | □ | □ | □ |
| Upholstery: | | | | |
| – Alcantara/leather combination | □ | □ | □ | □ |
| – Exclusive Nappa leather, extended | □ | □ | □ | □ |
| – Nevada leather | □ | □ | □ | □ |
| – Nevada leather, perforated (only in combination with active seat ventilation) | □ | □ | □ | □ |
| – Twill Cloth | ■ | ■ | ■ | ■ |

* Not available in all countries. Please consult your BMW partner.

■ Standard equipment □ Optional equipment – Not available

| Transmission and technology | X6 xDrive35i | X6 xDrive50i | X6 xDrive30d | X6 xDrive35d |
|--|---------------------|---------------------|---------------------|---------------------|
| 6-cylinder in-line diesel engine with four-valve technology | – | – | ■ | ■ |
| 6-cylinder in-line petrol engine with four-valve technology | ■ | – | – | – |
| 6-speed automatic transmission with Steptronic and gearshift paddles on the sports leather steering wheel | ■ | ■ | ■ | ■ |
| 8-cylinder V petrol engine with four-valve technology | – | ■ | – | – |
| Active Steering incl. Servotronic | □ | □ | □ | □ |
| Adaptive Drive (Dynamic Drive and EDC) | □ | □ | □ | □ |
| Brake Energy Regeneration | ■ | ■ | ■ | ■ |
| Common Rail Technology | – | – | ■ | ■ |
| Diesel particulate filter | – | – | ■ | ■ |
| Double-joint spring strut front axle | ■ | ■ | ■ | ■ |
| Double-VANOS , double variable camshaft control | ■ | ■ | – | – |
| Dynamic Performance Control for effective power distribution at the rear axle | ■ | ■ | ■ | ■ |
| Emissions standard: EU4 | ■ | ■ | ■ ¹ | ■ ¹ |
| High Precision Injection (petrol direct injection) | ■ | ■ | – | – |
| Multilink rear axle | ■ | ■ | ■ | ■ |
| Self-levelling with pneumatic rear suspension | □ | ■ | □ | □ |
| Turbocharger with variable turbine geometry | – | – | ■ | – |
| Twin Turbo | ■ | ■ | – | – |
| Variable Twin Turbo | – | – | – | ■ |
| xDrive (all-wheel drive system with variable torque distribution) | ■ | ■ | ■ | ■ |

| Driver assistance | X6 xDrive35i | X6 xDrive50i | X6 xDrive30d | X6 xDrive35d |
|---|---------------------|---------------------|---------------------|---------------------|
| Cruise control with braking function | ■ | ■ | ■ | ■ |
| Head-Up Display | □ | □ | □ | □ |
| High beam assist | □ | □ | □ | □ |
| Park Distance Control (PDC) , front (standard at the rear) | □ | □ | □ | □ |
| Rear view camera | □ | □ | □ | □ |

■ Standard equipment □ Optional equipment – Not available

| Light and sight | X6 xDrive35i | X6 xDrive50i | X6 xDrive30d | X6 xDrive35d |
|--|--------------|--------------|--------------|--------------|
| Adaptive headlights with turning lights | □ | □ | □ | □ |
| Exterior mirrors with automatic anti-glare function, incl. fold-in function and automatic parking function | □ | □ | □ | □ |
| Fog lights with free-form reflector incl. heated front windscreen washer nozzles and exterior mirrors | ■ | ■ | ■ | ■ |
| Headlight washing system | □ | □ | □ | □ |
| Interior mirror with automatic anti-glare function | ■ | ■ | ■ | ■ |
| Lights package incl. vicinity lights integrated in exterior door handles, door trim and interior door handle lighting, rear reading lights and rear footwell illumination | □ | □ | □ | □ |
| Rain sensor , incl. automatic driving lights control | ■ | ■ | ■ | ■ |
| Xenon headlights for high and low beam incl. automatic headlight range control and four light rings (daytime driving and parking lights) | ■ | ■ | ■ | ■ |

| Interior equipment | X6 xDrive35i | X6 xDrive50i | X6 xDrive30d | X6 xDrive35d |
|---|--------------|--------------|--------------|--------------|
| Automatic air conditioning | ■ | – | ■ | – |
| Automatic air conditioning, 2-zone (incl. AAR, condensation and solar sensors and residual heat function) with air outlets in the rear | □ | ■ | □ | ■ |
| Automatic air conditioning, 4-zone (with separate temperature control in the rear) | □ | □ | □ | □ |
| Auxiliary heating | □ | □ | □ | □ |
| Climate comfort windscreen | □ | □ | □ | □ |
| Seats/seat comfort: | | | | |
| – 4 seats, incl. 2 rear seats with sporty individual character and integral head-restraints | ■ | ■ | ■ | ■ |
| – Active seats for driver and passenger | □ | □ | □ | □ |
| – Comfort seats for driver and front passenger, electric seat adjustment with additional functions incl. lumbar support | □ | □ | □ | □ |
| – Lumbar support for driver and front passenger, electrically adjustable | □ | □ | □ | □ |
| – Rear seats, asymmetrically foldable (60:40) | ■ | ■ | ■ | ■ |
| – Seat heating for driver and front passenger | □ | □ | □ | □ |
| – Seat heating in the rear | □ | □ | □ | □ |
| – Seat adjustment, electric | □ | □ | □ | □ |
| – Sports seats for driver and front passenger (incl. electric seat adjustment) | □ | □ | □ | □ |
| – Standard seats with partial electric adjustment | ■ | ■ | ■ | ■ |
| Steering column adjustment , electric, in height and length | □ | ■ | □ | ■ |
| Steering wheel heating | □ | □ | □ | □ |
| Steering wheels: | | | | |
| – Sports leather steering wheel, three-spoke, multifunction | ■ | ■ | ■ | ■ |
| Sun blinds for rear side windows | □ | □ | □ | □ |
| Windscreen with grey shade band | ■ | ■ | ■ | ■ |

¹ The X6 xDrive30d and xDrive35d comply with emissions standard EU4 (N1-G3).

■ Standard equipment □ Optional equipment – Not available

| Comfort and interior equipment | X6 xDrive35i | X6 xDrive50i | X6 xDrive30d | X6 xDrive35d |
|---|--------------|--------------|--------------|--------------|
| Adaptive fastening system | □ | □ | □ | □ |
| Automatic soft-close for doors | □ | □ | □ | □ |
| Comfort access system (for keyless entry and engine start) | □ | □ | □ | □ |
| Cup holders , front and rear | ■ | ■ | ■ | ■ |
| Glass roof , electric, tilt/slide functions, convenient operation via vehicle key | □ | □ | □ | □ |
| Skibag | □ | □ | □ | □ |
| Start/Stop button | ■ | ■ | ■ | ■ |
| Storage facilities with anti-slip lining in the doors , front, centre console, storage box in luggage compartment (lockable) | ■ | ■ | ■ | ■ |
| Storage package (incl. 12-V socket, nets and lashing rails in luggage compartment) | □ | □ | □ | □ |
| Tailgate , with intermediate stop function | ■ | ■ | ■ | ■ |
| Tailgate operation , automatic | □ | □ | □ | □ |
| Window lifts , electrical, with one-touch control, comfort switch and trap release | ■ | ■ | ■ | ■ |

| Entertainment, communication and information | X6 xDrive35i | X6 xDrive50i | X6 xDrive30d | X6 xDrive35d |
|---|--------------|--------------|--------------|--------------|
| BMW ConnectedDrive – Telematics Services:* | | | | |
| – BMW Assist | □ | □ | □ | □ |
| – BMW Online | □ | □ | □ | □ |
| – BMW TeleServices | □ | □ | □ | □ |
| Control Display | ■ | ■ | ■ | ■ |
| Controller | ■ | ■ | ■ | ■ |
| Functional bookmarks | ■ | ■ | ■ | ■ |
| Navigation system Professional* with 8.8" colour display, arrow and map display, CD and DVD drive for navigation DVD and voice control | □ | □ | □ | □ |
| Navigation system Professional* , with integrated preparation for Bluetooth mobile phone, telematics-compatible (incl. voice control, BMW Assist* and BMW Online*) | □ | □ | □ | □ |
| Preparation for mobile phone Business with Bluetooth interface, incl. BMW Assist* | □ | □ | □ | □ |
| Radio/audio: | | | | |
| – AUX-IN connection in centre console | ■ | ■ | ■ | ■ |
| – CD changer for six CDs, in glove compartment | □ | □ | □ | □ |
| – DAB tuner | □ | □ | □ | □ |
| – DVD changer in the glove compartment, with multi-channel audio system | □ | □ | □ | □ |
| – DVD system in the rear | □ | □ | □ | □ |
| – HiFi loudspeaker system | □ | □ | □ | □ |
| – HiFi system Professional | □ | □ | □ | □ |
| – Radio BMW Professional, incl. MP3-compatible CD drive | ■ | ■ | ■ | ■ |
| – USB/audio interface | □ | □ | □ | □ |
| TV function | □ | □ | □ | □ |
| * Not available in all countries. Please consult your BMW partner. | | | | |

| Technical data | | X6 xDrive35i | X6 xDrive50i | X6 xDrive30d | X6 xDrive35d |
|---|----------------|--------------------------|--------------------------|--------------------------|--------------------------|
| Weight | | | | | |
| Unladen EU ¹ | kg | 2,145 | 2,265 | 2,150 | 2,185 |
| Max. permissible | kg | 2,670 | 2,840 | 2,675 | 2,710 |
| Permitted load | kg | 600 [650] | 650 | 600 [650] | 600 [650] |
| Permitted axle load, front/rear | kg | 1,280/1,470 | 1,400/1,520 | 1,280/1,470 | 1,320/1,480 |
| Permitted roof load | kg | 100 | 100 | 100 | 100 |
| Permitted trailer load, unbraked | kg | 750 | 750 | 750 | 750 |
| Permitted trailer load, braked, max. 12% gradient | kg | 2,700/3,500 ⁵ | 3,500 | 2,700/3,500 ⁵ | 2,700/3,500 ⁵ |
| Permitted trailer load, braked, max. 8% gradient | kg | 2,700/3,500 ⁵ | 3,500 | 2,700/3,500 ⁵ | 2,700/3,500 ⁵ |
| Engine² | | | | | |
| Cylinders/valves | | 6/4 | 8/4 | 6/4 | 6/4 |
| Capacity | cc | 2979 | 4395 | 2993 | 2993 |
| Max. output | kW (hp) rpm | 225 (306) 5,800–6,250 | 300 (407) 5,500–6,400 | 173 (235) 4,000 | 210 (286) 4,400 |
| Max. torque | Nm rpm | 400 1,300–5,000 | 600 1,750–4,500 | 520 2,000–2,750 | 580 1,750–2,250 |
| Transmission | | | | | |
| Standard transmission ratios | III : I | 4.17/2.34 | 4.17/2.34 | 4.17/2.34 | 4.17/2.34 |
| | III/IV : I | 1.52/1.14 | 1.52/1.14 | 1.52/1.14 | 1.52/1.14 |
| | V/VI/R : I | 0.87/0.69/3.40 | 0.87/0.69/3.40 | 0.87/0.69/3.40 | 0.87/0.69/3.40 |
| Final drive ratio | : I | 3.91 | 3.64 | 3.64 | 3.64 |
| Performance | | | | | |
| Top speed | km/h | 240 | 250 ⁴ | 220 | 236 |
| Acceleration 0–100 km/h | s | 6.7 | 5.4 | 8.0 | 6.9 |
| Fuel consumption³ | | | | | |
| Urban | l/100 km | 14.9 | 17.6 | 10.4 | 10.5 |
| Extra-urban | l/100 km | 8.6 | 9.5 | 7.0 | 7.1 |
| Combined | l/100 km | 10.9 | 12.5 | 8.2 | 8.3 |
| CO ₂ emissions | g/km | 262 | 299 | 217 | 220 |
| Tank capacity, approx. | l | 85 | 85 | 85 | 85 |
| Wheels | | | | | |
| Tyre dimensions | | 255/50 R 19 | 255/50 R 19 | 255/50 R 19 | 255/50 R 19 |
| Wheel dimensions | | 9 J x 19 | 9 J x 19 | 9 J x 19 | 9 J x 19 |
| Material | | light-alloy | light-alloy | light-alloy | light-alloy |

¹ The figure quoted includes a 90 per cent tank filling, 68 kg for the driver and 7 kg for luggage. Unladen weight applies to vehicles with standard specification. Optional equipment may increase this figure.

² The petrol engines are designed for RON 98 fuel. They may also be run on RON 91 (X6 xDrive35i: not less than RON 95) with a slight decrease in power output.

³ All engines meet the EU4 (N1) emissions standard, the new X6 xDrive30d and X6 xDrive35d comply with emissions standard EU4 (N1-G3). Fuel consumption is determined in accordance with the ECE driving cycle made up of approximately one third urban and two thirds extra-urban driving (based on the distance covered). CO₂ emissions are measured in addition to fuel

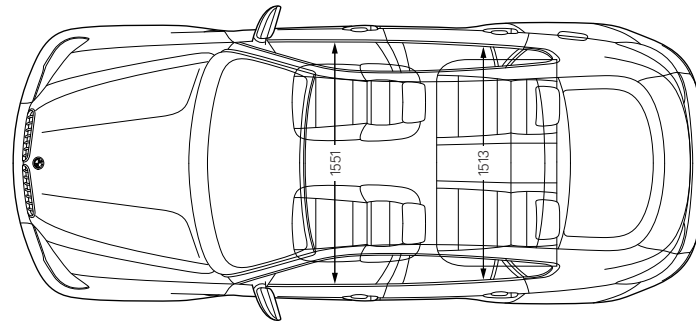
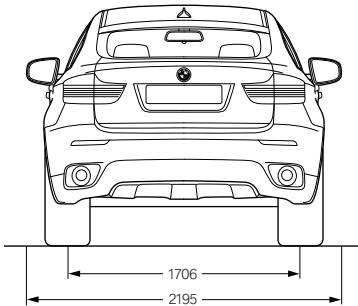
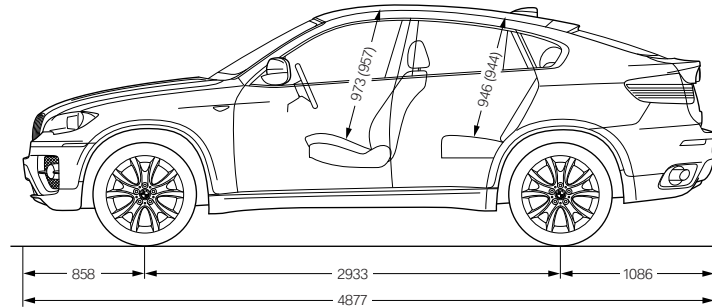
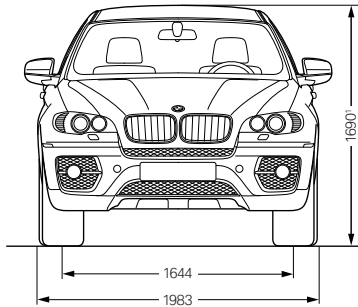
consumption. Fuel consumption is determined for vehicles with standard equipment. Optional equipment (such as wider tyres) can have a significant impact on fuel consumption and on performance.

⁴ Electronically limited.

⁵ In conjunction with the special option increased trailer load.

Values in [] apply to vehicles with self-levelling pneumatic rear suspension or in combination with Adaptive Drive.

The BMW X6 shown in this brochure has the exterior colour Vermilion red metallic. The upholstery is Nevada leather Oyster, with interior trim in Bamboo Grain, dark.



All dimensions of the technical drawings in millimetres. Height includes roof antenna. Luggage compartment capacity (VDA method) 570–1,450 litres.

¹ Height with roof railing is 1,699 mm. Values in () are for vehicles with a sliding roof.

BMW Recycling

Your BMW is the product of a comprehensive recycling concept. But what exactly does that mean in practice? It means that all the requirements of recycling are taken into account from the start, in the initial development of a BMW. One example is careful material selection designed to preserve resources and to ensure efficient recycling compatible with the environment. Each BMW is designed and built for simple and economic recycling after its long running life. Since 1994, we have been collecting the know-how required for this purpose at the unique BMW Recycling and Dismantling Centre (RDC) near Munich. At the same time, the BMW Group is establishing a complete network of vehicle recycling facilities within Europe, focusing in the process on the high standards of quality and environmental care that BMW is renowned for. Please contact your BMW partner on all matters regarding your end-of-life vehicle. He will be happy to help.

The models illustrated in this brochure show the specifications for the German market. In part, they include optional equipment and accessories not fitted as standard. According to the specific requirements of other markets, alterations in models, standard and optional equipment, as described in this brochure, may occur. For precise information please contact your local dealership. Subject to change in design and equipment.

© BMW AG, Munich/Germany. Not to be reproduced wholly or in part without written permission of BMW AG, Munich.

BMW recommends 

More about BMW

www.bmw.com



Sheer
Driving Pleasure

