

■ Standard equipment    □ Optional equipment    — Not available

Safety	xDrive30i	xDrive48i	xDrive30d	xDrive35d
<b>Active headrests</b> in the front	■	■	■	■
<b>Airbags:</b>				
– Driver and front passenger airbags (with seat occupancy detector)	■	■	■	■
– Head airbags (for front and 2nd-row passengers)	■	■	■	■
– Side airbag for driver and front passenger, integrated into seat	■	■	■	■
<b>Alarm system</b>	□	□	□	□
<b>Brake force display</b>	■	■	■	■
<b>Brakes:</b>				
– Disc brakes at the front, inner-vented	■	■	■	■
– Disc brakes at the rear, inner-vented	■	■	■	■
<b>Central locking with electronic immobiliser</b> , crash sensor	■	■	■	■
<b>Child seat fastening ISOFIX</b> in the rear	■	■	■	■
<b>Dynamic Stability Control (DSC)</b> (DSC, incl. ABS, CBC and traction control DTC) with additional functions	■	■	■	■
<b>Hill Descent Control (HDC)</b>	■	■	■	■
<b>Parking brake</b> , electromechanical, with Auto-Hold function	■	■	■	■
<b>Rollover sensor</b>	■	■	■	■
<b>Seat belts:</b>				
– Ergonomic belt system at the rear with 3-point seat belts for all seats	■	■	■	■
– Inertia-reel seat belts with pyrotechnical belt tensioner and belt force governor	■	■	■	■
<b>Safety body shell:</b>				
– Bumper system with impact cushions in aluminium at the front and steel at the rear; bumpers regenerate to their original shape in collisions at up to 4 km/h, deformation elements front and rear at up to 15 km/h	■	■	■	■
– Door-integrated side impact protection	■	■	■	■

Exterior design	xDrive30i	xDrive48i	xDrive30d	xDrive35d
<b>Aluminium running boards</b>	□	□	□	□
<b>Double kidney grille</b> with kidney slats in Black (Titanium coloured on xDrive48i and xDrive35d) and chrome surround	■	■	■	■
<b>Exterior mirrors in body colour</b> , tinted, electrically adjustable, aspherical and heated	■	■	■	■
<b>Metallic paint</b>	□	□	□	□
<b>Roof railing</b> , satin Aluminium	□	□	□	□
<b>Roof railing</b> , black, matt	□	□	□	□
<b>Shadow Line</b> , high-gloss	□	□	□	□

Equipment packages	xDrive30i	xDrive48i	xDrive30d	xDrive35d
<b>M Sports package</b> (with sports suspension settings, M exterior parts, sports seats, light-alloy wheels, V-spoke 223M with mixed tyres, M leather steering wheel and Individual roofliner in Anthracite, etc.)	□	□	□	□
<b>Sports package</b> (incl. sports suspension settings, sport seats, light-alloy wheels star-spoke 213 with mixed tyres and roofliner in Anthracite)	□	□	□	□

Standard equipment  
  Optional equipment  
 — Not available

Wheels	xDrive30i	xDrive48i	xDrive30d	xDrive35d
<b>Runflat indicator and runflat tyres</b>	■	■	■	■
<b>Wheels:</b>				
– Light-alloy wheels star-spoke 209, 8.5 J x 18-inch, 255/55 R 18 runflat tyres	■	□	■	■
– Light-alloy wheels star-spoke 210, 8.5 J x 18-inch, 255/55 R 18 runflat tyres	□	■	□	□
– Light-alloy wheels star-spoke 212, 9 J x 19-inch, 255/50 R 19 runflat tyres	□	□	□	□
– Light-alloy wheels Y-spoke 211, 9 J x 19-inch, 255/50 R 19 runflat tyres	□	□	□	□
– Light-alloy wheels star-spoke 213 with mixed tyres, 9 J x 19-inch with 255/50 R 19 runflat tyres at the front, 10 J x 19-inch with 285/45 R 19 runflat tyres at the rear (only in combination with sports package)	□	□	□	□
– Light-alloy wheels V-spoke 223 M with mixed tyres, 9 J x 19-inch with 255/50 R 19 runflat tyres at the front, 10 J x 19-inch, with 285/45 R 19 runflat tyres at the rear (only in combination with M sports package)	□	□	□	□
– Light-alloy wheels Y-spoke 214 with mixed tyres, 10 J x 20-inch with 275/40 R 20 runflat tyres at the front, 11 J x 20-inch with 315/35 R 20 runflat tyres at the rear (only in combination with sports package)	□	□	□	□
– Light-alloy wheels V-spoke 227 M with mixed tyres, 10 J x 20-inch with 275/40 R 20 runflat tyres at the front, 11 J x 20-inch with 315/35 R 20 runflat tyres at the rear (only in combination with M sports package)	□	□	□	□

Interior design	xDrive30i	xDrive48i	xDrive30d	xDrive35d
<b>BMW Individual instrument panel</b> , in leather	□	□	□	□
<b>Instrument panel</b> with circular speedometer and rev counter, plus tank level and fuel consumption gauges	■	■	■	■
<b>Interior trims:</b>				
– Graphitane, matt	■	–	■	–
– Fine-wood trim Burr Walnut, dark	□	■	□	■
– Brushed Aluminium, fine grain	□	□	□	□
– Fine-wood trim Bamboo Grain, dark	□	□	□	□
– Fine-wood trim Poplar Grain, light	□	□	□	□
<b>Roofliner</b> in Anthracite	□	□	□	□
<b>Upholstery:</b>				
– Twill Cloth	■	■	■	■
– Exclusive Nappa leather, extended	□	□	□	□
– Nevada leather	□	□	□	□
– Nevada leather, perforated (only in combination with active seat ventilation)	□	□	□	□

■ Standard equipment    □ Optional equipment    — Not available

Transmission and technology	xDrive30i	xDrive48i	xDrive30d	xDrive35d
6-cylinder in-line diesel engine with four-valve technology	—	—	■	■
6-cylinder in-line petrol engine with four-valve technology	■	—	—	—
8-cylinder V petrol engine with four-valve technology	—	■	—	—
6-speed automatic transmission with Steptronic	■	■	■	■
Active Steering incl. Servotronic	□	□	□	□
Adaptive Drive (Dynamic Drive and EDC)	□	□	□	□
Brake Energy Regeneration	■	■	■	■
Common Rail Technology	—	—	■	■
Diesel particle filter	—	—	■	■
Double-joint spring strut front axle	■	■	■	■
Double-VANOS, double variable camshaft control	■	■	—	—
Emissions standard: EU4 <sup>1</sup>	■	■	■	■
Multilink rear axle	■	■	■	■
Self-levelling with pneumatic rear suspension	□	■	□	□
Sports suspension settings	□	□	□	□
Turbo charger with variable turbine geometry	—	—	■	—
Valvetronic, fully variable valve control	■	■	—	—
Variable Twin Turbo	—	—	—	■
xDrive (all-wheel drive system with variable torque distribution)	■	■	■	■

Driver assistance	xDrive30i	xDrive48i	xDrive30d	xDrive35d
Cruise Control with braking function	■	■	■	■
Head-up Display	□	□	□	□
High-beam assistant	□	□	□	□
Park Distance Control (PDC), front and rear	□	□	□	□
Rear view camera	□	□	□	□

Light and sight	xDrive30i	xDrive48i	xDrive30d	xDrive35d
Adaptive Headlights with variable light distribution incl. turning lights	□	□	□	□
Exterior mirrors with automatic anti-glare function, incl. fold-in function and automatic parking function	□	□	□	□
Fog lights with free-form reflector incl. heated front windscreen washer nozzles and exterior mirrors	■	■	■	■
Headlight washing system	□	□	□	□
Interior mirror with automatic anti-glare function	■	■	■	■

<sup>1</sup> The X5 xDrive30d and xDrive35d fulfil emissions standard EU4 (N1-G3).

Standard equipment  
  Optional equipment  
 — Not available

Light and sight	xDrive30i	xDrive48i	xDrive30d	xDrive35d
<b>Lights package</b> (incl. vicinity lights integrated in exterior door handles, door trim and interior door handle lighting, rear reading lights and rear footwell illumination)	<input type="checkbox"/>	<input type="checkbox"/>	<input type="checkbox"/>	<input type="checkbox"/>
<b>Rain sensor</b> , incl. automatic driving lights control	<input type="checkbox"/>	<input type="checkbox"/>	<input type="checkbox"/>	<input type="checkbox"/>
<b>Xenon Headlights for high and low beam</b> incl. automatic headlight range control and four light rings (daytime driving and parking lights)	<input type="checkbox"/>	<input checked="" type="checkbox"/>	<input type="checkbox"/>	<input checked="" type="checkbox"/>

Interior equipment	xDrive30i	xDrive48i	xDrive30d	xDrive35d
<b>Automatic air conditioning</b>	<input checked="" type="checkbox"/>	—	<input checked="" type="checkbox"/>	—
<b>Automatic air conditioning, 2-zone</b> (incl. AAR, condensation and solar sensors and residual heat function) with air outlets in the rear	<input type="checkbox"/>	<input checked="" type="checkbox"/>	<input type="checkbox"/>	<input checked="" type="checkbox"/>
<b>Automatic air conditioning, 4-zone</b> (with separate temperature control in the rear)	<input type="checkbox"/>	<input type="checkbox"/>	<input type="checkbox"/>	<input type="checkbox"/>
<b>Auxiliary heating</b>	<input type="checkbox"/>	<input type="checkbox"/>	<input type="checkbox"/>	<input type="checkbox"/>
<b>Climate comfort windscreen</b>	<input type="checkbox"/>	<input type="checkbox"/>	<input type="checkbox"/>	<input type="checkbox"/>
<b>Seats/seat comfort:</b>				
– 3rd row of seats (two separate folding seats, with additional heating)	<input type="checkbox"/>	<input type="checkbox"/>	<input type="checkbox"/>	<input type="checkbox"/>
– Active seats for driver and passenger	<input type="checkbox"/>	<input type="checkbox"/>	<input type="checkbox"/>	<input type="checkbox"/>
– Comfort seats for driver and passenger, electric seat adjustment with additional functions incl. lumbar support	<input type="checkbox"/>	<input type="checkbox"/>	<input type="checkbox"/>	<input type="checkbox"/>
– Lumbar support for driver and front passenger, electrically adjustable	<input type="checkbox"/>	<input type="checkbox"/>	<input type="checkbox"/>	<input type="checkbox"/>
– Rear seats, asymmetrically foldable (60:40)	<input checked="" type="checkbox"/>	<input checked="" type="checkbox"/>	<input checked="" type="checkbox"/>	<input checked="" type="checkbox"/>
– Seat adjustment, electric (with memory function for driver's seat and exterior mirrors, for xDrive48i and xDrive35d in conjunction with standard seat)	<input type="checkbox"/>	<input checked="" type="checkbox"/>	<input type="checkbox"/>	<input checked="" type="checkbox"/>
– Seat adjustment, partially electric	<input checked="" type="checkbox"/>	<input checked="" type="checkbox"/>	<input checked="" type="checkbox"/>	<input checked="" type="checkbox"/>
– Seat heating for driver and front passenger	<input type="checkbox"/>	<input type="checkbox"/>	<input type="checkbox"/>	<input type="checkbox"/>
– Seat heating in the rear	<input type="checkbox"/>	<input type="checkbox"/>	<input type="checkbox"/>	<input type="checkbox"/>
– Sports seats for driver and front passenger (incl. electric seat adjustment)	<input type="checkbox"/>	<input type="checkbox"/>	<input type="checkbox"/>	<input type="checkbox"/>
<b>Steering wheel heating</b>	<input type="checkbox"/>	<input type="checkbox"/>	<input type="checkbox"/>	<input type="checkbox"/>
<b>Steering wheels:</b>				
– Leather steering wheel, three-spoke, multifunction	<input checked="" type="checkbox"/>	<input checked="" type="checkbox"/>	<input checked="" type="checkbox"/>	<input checked="" type="checkbox"/>
– Sports leather steering wheel, three-spoke, multifunction	<input type="checkbox"/>	<input type="checkbox"/>	<input type="checkbox"/>	<input type="checkbox"/>
<b>Sun blinds</b> for rear windscreen and for rear side windows	<input type="checkbox"/>	<input type="checkbox"/>	<input type="checkbox"/>	<input type="checkbox"/>
<b>Windscreen with grey shade band</b>	<input type="checkbox"/>	<input type="checkbox"/>	<input type="checkbox"/>	<input type="checkbox"/>

Standard equipment  
  Optional equipment  
 — Not available

Comfort and interior equipment	xDrive30i	xDrive48i	xDrive30d	xDrive35d
Adaptive fastening system	<input type="checkbox"/>	<input type="checkbox"/>	<input type="checkbox"/>	<input type="checkbox"/>
Automatic tailgate operation	<input type="checkbox"/>	<input type="checkbox"/>	<input type="checkbox"/>	<input type="checkbox"/>
Comfort access system (for keyless entry and engine start)	<input type="checkbox"/>	<input type="checkbox"/>	<input type="checkbox"/>	<input type="checkbox"/>
Cupholders front and rear	<input checked="" type="checkbox"/>	<input checked="" type="checkbox"/>	<input checked="" type="checkbox"/>	<input checked="" type="checkbox"/>
Panoramic glass roof, electric, tilt/slide functions, convenient operation via vehicle key	<input type="checkbox"/>	<input type="checkbox"/>	<input type="checkbox"/>	<input type="checkbox"/>
Start/Stop button	<input checked="" type="checkbox"/>	<input checked="" type="checkbox"/>	<input checked="" type="checkbox"/>	<input checked="" type="checkbox"/>
Storage facilities with anti-slip lining in the doors, front, centre console, storage box in luggage compartment (lockable)	<input checked="" type="checkbox"/>	<input checked="" type="checkbox"/>	<input checked="" type="checkbox"/>	<input checked="" type="checkbox"/>
Storage package (incl. 12-V socket, net and cargo rails in luggage compartment)	<input type="checkbox"/>	<input type="checkbox"/>	<input type="checkbox"/>	<input type="checkbox"/>
Tailgate, split	<input checked="" type="checkbox"/>	<input checked="" type="checkbox"/>	<input checked="" type="checkbox"/>	<input checked="" type="checkbox"/>
Window lifts, electrical, with one-touch control, comfort switch and trap release	<input checked="" type="checkbox"/>	<input checked="" type="checkbox"/>	<input checked="" type="checkbox"/>	<input checked="" type="checkbox"/>

Entertainment and communication	xDrive30i	xDrive48i	xDrive30d	xDrive35d
<b>BMW ConnectedDrive – Telematics Services*:</b>				
– BMW Assist	<input type="checkbox"/>	<input type="checkbox"/>	<input type="checkbox"/>	<input type="checkbox"/>
– BMW Online	<input type="checkbox"/>	<input type="checkbox"/>	<input type="checkbox"/>	<input type="checkbox"/>
– BMW TeleServices	<input type="checkbox"/>	<input type="checkbox"/>	<input type="checkbox"/>	<input type="checkbox"/>
Control display	<input checked="" type="checkbox"/>	<input checked="" type="checkbox"/>	<input checked="" type="checkbox"/>	<input checked="" type="checkbox"/>
Controller	<input checked="" type="checkbox"/>	<input checked="" type="checkbox"/>	<input checked="" type="checkbox"/>	<input checked="" type="checkbox"/>
Functional bookmarks	<input checked="" type="checkbox"/>	<input checked="" type="checkbox"/>	<input checked="" type="checkbox"/>	<input checked="" type="checkbox"/>
Navigation system Professional* with 8.8 inch colour monitor, arrow and map display, CD and DVD drive	<input type="checkbox"/>	<input type="checkbox"/>	<input type="checkbox"/>	<input type="checkbox"/>
Navigation system Professional*, with integrated preparation for Bluetooth mobile phone, (incl. voice control, BMW Assist* and BMW Online*)	<input type="checkbox"/>	<input type="checkbox"/>	<input type="checkbox"/>	<input type="checkbox"/>
Preparation for mobile phone Business with Bluetooth interface, including comfort connection for mobile phone music player, BMW Assist*	<input type="checkbox"/>	<input type="checkbox"/>	<input type="checkbox"/>	<input type="checkbox"/>
<b>Radio/audio:</b>				
– AUX-IN connection in centre console	<input checked="" type="checkbox"/>	<input checked="" type="checkbox"/>	<input checked="" type="checkbox"/>	<input checked="" type="checkbox"/>
– CD changer for six CDs, in glove compartment	<input type="checkbox"/>	<input type="checkbox"/>	<input type="checkbox"/>	<input type="checkbox"/>
– DAB tuner	<input type="checkbox"/>	<input type="checkbox"/>	<input type="checkbox"/>	<input type="checkbox"/>
– DVD changer in the glove compartment, with multi-channel audio system	<input type="checkbox"/>	<input type="checkbox"/>	<input type="checkbox"/>	<input type="checkbox"/>
– DVD system in the rear	<input type="checkbox"/>	<input type="checkbox"/>	<input type="checkbox"/>	<input type="checkbox"/>
– HiFi loudspeaker system	<input type="checkbox"/>	<input type="checkbox"/>	<input type="checkbox"/>	<input type="checkbox"/>
– HiFi system Professional	<input type="checkbox"/>	<input type="checkbox"/>	<input type="checkbox"/>	<input type="checkbox"/>
– Radio BMW Professional, incl. MP3-compatible CD drive	<input checked="" type="checkbox"/>	<input checked="" type="checkbox"/>	<input checked="" type="checkbox"/>	<input checked="" type="checkbox"/>
– USB/audio interface	<input type="checkbox"/>	<input type="checkbox"/>	<input type="checkbox"/>	<input type="checkbox"/>
TV function	<input type="checkbox"/>	<input type="checkbox"/>	<input type="checkbox"/>	<input type="checkbox"/>

\* Not available in all countries. Please consult your BMW partner.

Technical data		xDrive30i	xDrive48i	xDrive30d	xDrive35d
<b>Weight</b>					
Unladen EU <sup>1</sup>	kg	2075	2180	2150	2185
Max. permissible	kg	2680	2785	2755	2790
Permitted load	kg	680	680	680	680
Permitted axle load, front/rear	kg	1245/1535	1345/1540	1295/1545	1335/1555
Permitted roof load	kg	100	100	100	100
Permitted trailer load, unbraked	kg	750	750	750	750
Permitted trailer load, braked, max 12% gradient	kg	2700	2700 (3500) <sup>4</sup>	2700 (3500) <sup>4</sup>	2700 (3500) <sup>4</sup>
Permitted trailer load, braked, max 8% gradient	kg	2700	2700 (3500) <sup>4</sup>	2700 (3500) <sup>4</sup>	2700 (3500) <sup>4</sup>
<b>Engine<sup>2</sup></b>					
Cylinder/valves		6/4	8/4	6/4	6/4
Capacity	cc	2996	4799	2993	2993
Max. output/engine speed	kW (hp) rpm	200 (272) 6650	261 (355) 6300	173 (235) 4000	210 (286) 4400
Max. torque/engine speed	Nm rpm	315 2750	475 3400–3800	520 2000–2750	580 1.750–2250
<b>Transmission</b>					
Standard transmission ratios					
	I/II:1	4.17/2.34	4.17/2.34	4.17/2.34	4.17/2.34
	III/IV:1	1.52/1.14	1.52/1.14	1.52/1.14	1.52/1.14
	V/VI/R:1	0.87/0.69/3.40	0.87/0.69/3.40	0.87/0.69/3.40	0.87/0.69/3.40
Final drive ratio	:1	4.44	3.91	3.64	3.64
<b>Performance</b>					
Top speed	km/h	210	240	210	235
Acceleration 0–100 km/h	s	8.1	6.5	8.1	7.0
<b>Fuel consumption<sup>3</sup></b>					
Urban	l/100 km	13.7	16.9	10.2	10.3
Extra-urban	l/100 km	8.2	9.2	6.9	7.0
Composite	l/100 km	10.2	12.0	8.1	8.2
CO <sub>2</sub> emissions	g/km	244	286	214	216
Tank capacity, approx.	l	85	85	85	85
<b>Wheels</b>					
Tyre dimensions		255/55 R18	255/55 R18	255/55 R18	255/55 R 18
Wheel dimensions		8.5J x 18	8.5J x 18	8.5J x 18	8.5 J x 18
Material		Light-alloy	Light-alloy	Light-alloy	Light-alloy

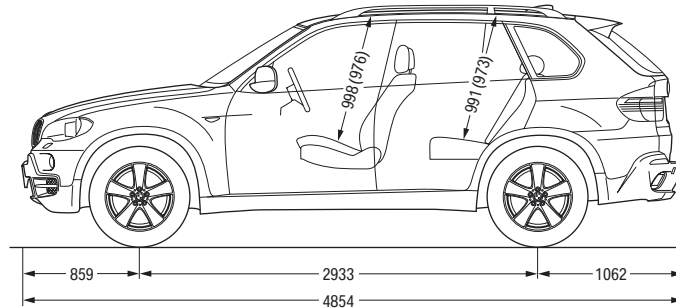
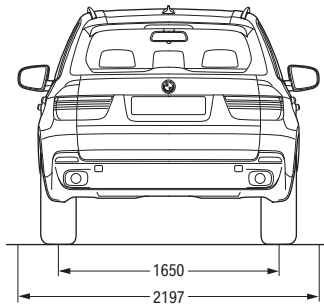
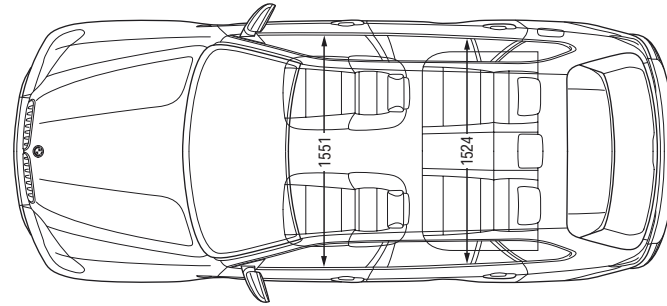
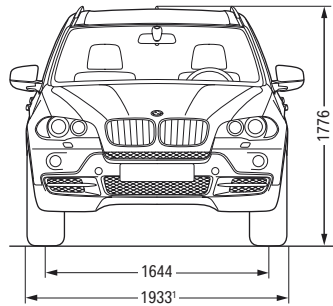
<sup>1</sup> The figure quoted includes a 90 per cent tank filling, 68 kg for the driver and 7 kg for luggage. Unladen weight applies to vehicles with standard specification. Optional equipment may increase this figure.

<sup>2</sup> The petrol engines are designed for RON 98 fuel. They may also be run on RON 91 with a decrease in power output.

<sup>3</sup> All engines meet the EU4 (N1) emissions standard. The X5 xDrive30d and xDrive35d comply with emission standard EU4 (N1-G3). Fuel consumption is determined in accordance with the ECE driving cycle made up of approximately one third urban and two thirds extra-urban driving (based, on the distance covered). CO<sub>2</sub> emissions are measured in addition to fuel consumption. Fuel consumption is determined for vehicles with standard equipment. Optional equipment (such as wider tyres) can have a significant impact on fuel consumption and on performance.

<sup>4</sup> Increased trailer load in conjunction with optional equipment.

The BMW X5 xDrive48i shown in this brochure has the exterior colour Space Grey metallic. The upholstery is in Exclusive Nappa leather Beige, extended coverage, with interior trim in fine wood Burr Walnut.



All dimensions of the technical drawings in millimetres. Luggage compartment capacity (VDA method) 620 –1750 litres.  
 \*Width with folded-in exterior mirrors. Values in ( ) are for vehicles with a panoramic glass roof.

### BMW Recycling.

Your BMW is the product of a comprehensive recycling concept. But what exactly does that mean in practice? It means that all the requirements of recycling are taken into account from the start, in the initial development of a BMW. One example is careful material selection designed to preserve resources and to ensure efficient recycling compatible with the environment. Each BMW is designed and built for simple and economic recycling after its long running life. Since 1994, we have been collecting the know-how required for this purpose at the unique BMW Recycling and Dismantling Centre (RDC) near Munich. At the same time, the BMW Group is establishing a complete network of vehicle recycling facilities within Europe, focusing in the process on the high standards of quality and environmental care that BMW is renowned for. Please contact your BMW partner on all matters regarding your end-of-life vehicle. He will be happy to help.

The models illustrated in this brochure show the specifications for the German market. In part, they include optional equipment and accessories not fitted as standard. According to the specific requirements of other markets, alterations in models, standard and optional equipment, as described in this brochure, may occur. For precise information please contact your local dealership. Subject to change in design and equipment.

© BMW AG, Munich/Germany. Not to be reproduced wholly or in part without written permission of BMW AG, Munich.

BMW recommends Castrol