

BMW X3



Sheer
Driving Pleasure



High style that always rises to the occasion.



The power to reach
your goals.



Driven to set the pulse racing.





Your space. Your style.

This has gone in.

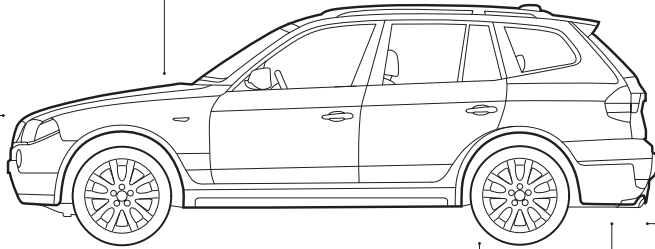
The pleasure you get from driving a BMW is the result of fine engineering – always setting the benchmark because it is based on much more than engine power. This is the tradition behind BMW EfficientDynamics. It includes the visionary CleanEnergy hydrogen-powered engine, already used in a number of completely emission-free BMW 7 Series saloons. Also going into production soon is the BMW ActiveHybrid – an intelligent, demand-oriented combination of internal combustion engine and electric motor. And every BMW already includes a multi-awarded EfficientDynamics technology package as standard that boosts dynamics even further whilst simultaneously reducing fuel consumption and CO₂ emissions.

Common Rail Technology

The third-generation, electronically controlled common rail system generates injection pressure of up to 1,800 bar. So fuel injection is even more precise and finely measured. Thus reducing consumption as well as exhaust emission levels, while boosting engine power.

Valvetronic

Valve lift control is fully variable in engines with Valvetronic. The result is improved cold start behaviour and smoother running, as well as a significant drop in fuel consumption.



Air vent control

Engine management signals the engine's current cooling capacity requirements constantly while driving, rendering a permanent airstream through the radiator unnecessary. The air vents in front of the radiator open or close depending on the environmental temperature and road speed. When shut they improve aerodynamics, shorten the engine's warm-up time and so reduce fuel consumption.

Tyres with reduced rolling-resistance

While driving, tyres are constantly changing shape. This uses up energy and thus fuel. Tyres with reduced rolling-resistance have an improved design and use special materials for their road treads and side walls, thus reducing deformation.

Lightweight construction

Our engineers use aluminium where lighter materials are more expedient, for instance in the front section or for the suspension. The six-cylinder in-line petrol engine, for instance, is composed of aluminium and magnesium. Making these engines the lightest in their class. These weight savings lead to lower fuel consumption and better axle load distribution, for more agility, especially in bends.

Some BMW EfficientDynamics features are dependent on vehicle equipment and may not be available for all vehicles. Your authorised BMW partner or your local branch office will be happy to provide you with information about equipment details.

And this is what comes out.

BMW already offers 23 models with CO₂ emissions of 140 g/km and significantly less. But that's just for starters. We're carrying on our research with EfficientDynamics – in the quest to bring you more driving pleasure and less emissions.



Ahead of the Trend. The Lifestyle Edition.



Modern and dynamic – the Lifestyle Edition brings energy to the street. Choose from among seven exciting metallic paint finishes, including Space Grey shown here. Optional equipment includes a roof railing in a choice of two finishes (shown here: Black matt). The Lifestyle Edition features light-alloy wheels in 17-inch in V-spoke design 279. And the chrome tailpipe covers leave no doubt about this Edition's sporty nature.

Interior trim in Space Grey metallic finish and chrome buttons on the radio set modern accents. The optional sports seats for driver and front passenger ensure a sporty and comfortable driving experience.

Every day drives differently. The Exclusive Edition.

Elegance and style – they are in every detail of the Exclusive Edition. Its availability limited to this Edition, the Mineral Green metallic paint finish expresses its unique character. A further seven colour choices impressively emphasise its exceptional refinement. Its 18-inch light-alloy wheels in Y-spoke design 280 give the vehicle a unique flair; and the Xenon Headlights with their instantly recognisable light rings and headlight washing system are elegantly integrated into the front. This Edition also features a rain sensor and a lights package – the finishing touches for a stylish masterpiece.



For the most discerning demands: soft, beautifully-finished Nevada leather upholstery (shown here in Oyster) is a pleasure to look at and to touch. Fine-wood trim in light Walnut and a leather steering wheel complete the harmonious cabin atmosphere.



■ Standard equipment

□ Optional equipment



□ **Xenon Headlights for high and low beam**, with automatic headlight range control, significantly improve road illumination at night, or poor visibility.

□ **Adaptive Headlights** incl. turning lights, greatly improve illumination of bends. The electro-mechanically controlled headlights swivel to point into a bend as soon as the driver steers into it (only in combination with Xenon headlights). When automatic headlight range control is activated, the turning lights, which are integrated in the fog lamps, are illuminated whenever the indicators are turned on, or when making a tight turn at speeds lower than 35 km/h.



□ **Headlight washing system** provides optimal illumination of the road ahead in all weather conditions. Headlights are automatically cleaned in parallel with the windscreen when the lights are on.



■ **Fog lights** integrated in the front air dam ensure extra safety in bad weather and with poor visibility.



□ **Rain sensor incl. automatic driving lights control**: when activated, the rain sensor automatically turns the wipers on and adjusts the wiper frequency according to the intensity of the rain. At dusk or when driving through a tunnel the dipped beam of the integrated automatic headlights will automatically be switched on (standard on X3 xDrive35d).



□ **Roof railing, black matt**: matched harmoniously to the car's design, the roof railing provides the foundation for BMW's multifunctional roof support unit for effortless and safe transportation of luggage, bicycles, surfboards, etc.



□ **Roof railing, silver matt**: For an even more distinctive appearance, the roof railing is also available with a silver matt finish.



■ **White indicator lights** for a dynamic look.



■ **Exterior mirrors** in body colour, electrically adjustable, blue-tinted, aspheric, heated.

□ **Exterior mirrors** with automatic anti-glare function, heated, automatic fold-in function. Features as above, with interior mirror with automatic anti-glare function. Both mirrors automatically dim when exposed to more than a given light intensity from following cars.

■ Standard equipment

□ Optional equipment



□ **Lights package:** incl. exterior mirrors lights, exit lights integrated in the underside of all doors and footwell lighting. In addition, for the X3 models xDrive20i, xDrive25i and xDrive20d illuminated vanity mirrors and reading lights in the rear.



□ **Aluminium running boards** made of brushed and eloxy-plated aluminium with rubber inserts.



■ **Rear window wiper** with intermittent wipe.



■ **Brake light**, third, raised for additional safety and integrated into the roof spoiler, which has the same finish as the body.



■ **Brake-Force Display** helps vehicles following you to properly assess your braking situation: brake light intensity is increased in the case of emergency braking. Other vehicles are thus able to differentiate light braking from full braking – for increased safety when driving.



□ **Park Distance Control (PDC)** front and rear; facilitates parking and manoeuvring in tight spaces. The distance between your car and any obstacle is indicated acoustically.



■ **Tailgate**, generous dimensions and a low loading sill facilitate easy loading of the luggage compartment (illustrated here with completely extended load area cover).



□ **Trailer tow hitch** with removable ball head, including trailer stability control (a system integrated in DSC and activated by the use of a plug at the rear). Rear axle suspension adjusted to counterbalance additional weight on the towbar.



■ **Exhaust tailpipes:** exhaust system includes two exhaust pipes with sporty chrome plates, high-quality chrome plated. (The models X3 xDrive20i and X3 xDrive20d have a single, stainless steel pipe).

■ Standard equipment

□ Optional equipment



■ **BMW light-alloy wheels** ellipsoid styling 109, 7 J x 17 inch, 215/60 R 17 tyres (standard on X3 xDrive20i and X3 xDrive20d).



□ **BMW light-alloy wheels** double-spoke 148, 8 J x 17 inch, 235/55 R 17 tyres (standard on X3 xDrive25i, X3 xDrive30i and X3 xDrive30d).



□ **BMW light-alloy wheels** double-spoke 112, 8 J x 17 inch, 235/55 R 17 tyres.



□ **BMW light-alloy wheels** star-spoke 204, 8 J x 17 inch, 235/55 R 17 tyres.



□ **BMW light-alloy wheels** double-spoke 205, 8 J x 18 inch, 235/50 R 18 tyres (standard on X3 xDrive35d).



□ **BMW light-alloy wheels** V-spoke 206, with mixed tyres, 8 J x 18 inch rims with 235/50 R 18 tyres at the front, 9 J x 18 inch rims with 255/45 R 18 tyres at the rear.



□ **Climate comfort windscreen**, this useful amenity reduces the temperature within the car by means of an infra-red light-reflecting layer, the green stripe at the top of the windscreen removing any direct sun glare.



□ **Panorama glass roof**. Generous size (0.65 m²) with speed-dependent wind deflector, electric, slide and lift control via tip keys, electric sun shade (for sun protection) as well as trap release and comfort opening/closing function.

■ Standard equipment

□ Optional equipment



□ **Sports leather steering wheel with multifunction buttons** for Cruise Control and for remote control of radio and telephone (latter optional).



■ **Standard steering wheel** (diameter 385 mm).

□ **Leather steering wheel** (standard on X3 xDrive30i, X3 xDrive30d and X3 xDrive35d).



□ **Leather steering wheel with multifunction buttons** (standard on X3 xDrive 35d) for Cruise control and remote control of radio and telephone (optional).



□ **M leather steering wheel:** with a thicker rim for improved grip. The integrated multifunction buttons allow the driver to operate the radio, CD player or telephone while driving.

■ Standard equipment

□ Optional equipment



□ **Steering wheel heating**, just press a button to quickly warm up the steering wheel rim – a particularly pleasant amenity in winter. (Available in combination with leather steering wheel, sports leather steering wheel and M leather steering wheel).



■ **Instrument panel** with analogue-face instruments with red illumination from behind, speedometer with LC display for mileage and trip counter, on-board computer, rev counter with integrated fuel gauge and coolant thermometer.



□ **Navigation system Business*** incl. radio BMW Business (without audio drive), route planning and on-board computer. With monochrome LC display; traffic directions are provided via voice computer and arrows on the display.



□ **Navigation system Professional*** with 16:9 screen that folds out from the instrument panel and TV (optional), including radio BMW Business with MP3 compatible CD drive guiding you quickly to your destination. Dynamic route planning integrates TMC traffic information into navigation – the voice computer provides driving directions and additional information (e.g. on nearby hotels) by arrows or a map.



■ **Radio BMW CD**, 6 x 25 watt amplifier output, integrated CD drive, motorised CD insert/eject.

■ **AUX-IN connection** for an external audio source such as an MP3 player.



□ **Radio BMW Business CD**, 6 x 25 watt amplifier output, antenna diversity, integrated CD drive, motorised CD insert/eject, connection for BMW CD changer. The CD drive is also capable of playing MP3 files.



□ **HiFi system Professional** with powerful amplifier output, 7-band equaliser (only in combination with Navigation system Professional*) and ten loudspeakers, incl. two subwoofers, provides excellent sound. In addition the system allows you to reproduce the acoustics of various interiors.

□ **HiFi loudspeaker system** with eight loudspeakers, incl. two subwoofers, provides brilliant sound.



□ **Armrest in the front**, foldable, with integrated storage compartment (standard on X3 xDrive30i, X3 xDrive30d and X3 xDrive35d).



□ **CD changer**, incl. MP3 decoder, integrated under the armrest along with storage compartment for 3 CDs. The CD changer can take up to six CDs.

* Not available in all countries. Please consult your BMW partner.

■ Standard equipment

□ Optional equipment



■ **Map pocket front.** A large map pocket is handily positioned in the front door trim panel.



□ **Preparation for mobile telephone with Bluetooth,** incl. hands-free installation, charger connection and antenna. Snap-in adapter (BMW Accessories) connects a Bluetooth mobile phone, which can be operated via the multifunction steering wheel or navigation system. Your BMW partner will be happy to inform you about compatible mobile phones.



■ **Air conditioning,** incl. microfilter, ensures comfortable climate conditions in the vehicle interior at any time of year, with manual adjustment of air volume and air distribution.



□ **Automatic air conditioning,** incl. AAR and solar sensors, rapidly provides the desired climatic conditions and maintains the selected temperature; Automatic Air Recirculation (AAR) protects against pollutants in the air by switching onto air recirculation function when they reach a certain concentration (standard on X3 xDrive35d).



□ **6-speed automatic transmission** with Steptronic, Adaptive Transmission Management (ATM), Shiftlock/Interlock. For exceptionally smooth and agile gear changing, and unsurpassed driving dynamics (standard on X3 xDrive35d, not available for X3 xDrive20i).



■ **6-speed manual transmission** makes for extremely dynamic driving. Smooth and optimally synchronised, it boasts precise, tight throw gear shifts. Thanks to the wider ratio transmission with an additional sixth gear the engine is even more responsive to your own personal style of driving (not available on X3 xDrive35d).



■ **Window lifts,** electric, incl. open/close fingertip control, trap release and comfort closing function.



□ **Seat heating** for driver and front passenger; seat and backrest, incl. side supports, ensuring a pleasantly warm surface shortly after starting the car.



□ **Seat heating** for backseat. Both the seat and the backrest of the two outer seats can be heated.

■ Standard equipment

□ Optional equipment



□ **Sports seats** for driver and front passenger, raised side sections provide optimum side support; seat height, backrest and seat angle, thigh support as well as lengthwise position are all adjustable to suit the individual.



□ **Comfort seats** for driver and passenger, with draped pockets, electronic seat height and backrest angle adjustment, length adjustment and tilt control, incl. memory function for driver seat and wing mirror (automatic mirror down-tilt). Additional electr. adjusting functions: variable shoulder supports, head rest, front armrest and lumbar support.



■ **Standard seats** with manual seat adjustment for seat height and backrest angle as well as lengthwise position.



□ **Seat adjustment**, electric, for driver and passenger seats, numerous seat positions are electrically adjustable, incl. memory function for driver's seat and exterior mirrors (standard on X3 xDrive35d).

■ Standard equipment

□ Optional equipment



□ **Lumbar support** for driver and front passenger seats, electrically adjustable to provide a perfect, ergonomic seating position and support your back muscles.



■ **Courtesy lights** with automatic function. Soft on/off dimming when opening or closing car doors; illumination of centre console from above as well as reading lights in the front and rear (X3 xDrive30i, X3 xDrive30d and X3 xDrive35d); footwell illumination in the front as well as illuminated vanity mirrors.



□ **Rearview mirror** with digital compass function (integrated in the mirror itself, to the right).



□ **Alarm system with radio remote control:** in the event of an attempted break-in or any tampering with the vehicle the alarm emits an acoustic signal and switches on the hazard warning lights.



■ **Centre armrest** in the rear, folds out, with additional storage compartment and two cupholders, integrated into the back seatrest.



■ **Belt system** in the rear, ergonomic, with three-point belts on all seats, with integrated belt catch; incl. three headrests (height adjustment for the two outer headrests).



□ **Ski bag** for clean and safe transport of max. four pairs of skis with up to four occupants in the car; whenever the ski bag is not required, it remains stored conveniently and out of sight behind the centre armrest.



■ **Luggage compartment partition net**, multifunctional; an extendable roller cover guards against the over-curious; the partition net can be extended and hooked to the roof liner to protect the passenger area from falling objects – and you can easily pack the luggage area to the roof.

■ Standard equipment

□ Optional equipment



■ **Luggage compartment** with textile lining, load capacity 480 to 1,560 litres, incl. storage compartment using load floor (image also shows the completely extended load area cover).



□ **Adaptive fastening system** for firmly securing differently-sized pieces of luggage (available in combination with the storage compartment package.)



■ **Back seatrest**, asymmetrical, at a ratio of 60:40 partly and fully inclinable; the volume and surface area of the storage compartment can thus be extended as needed.



□ **Storage compartment package** incl. front armrest, luggage nets behind the front seats, under centre console on the passenger side and on the left side of the luggage compartment; reversible luggage compartment floor and parcel rails with four fastening eyelets (illustrated) on the floor plus multifunctional hooks and a bottle restraint band.



■ **12-Volt socket** integrated into the luggage compartment. A second 12-volt socket is in the rear centre console. Another socket is included in the front centre console.



■ **Car/Key Memory**¹ allows you to program the settings on your BMW, for example automatically activating the low-beam headlights when starting the engine. Key Memory allows the encoding of functions such as a predetermined seat position onto the car key of each driver. Functions are activated when the central locking is operated.



□ **BMW Welt:** Taking delivery of a car has always ranked among the best moments for any driver. Now that moment can become a truly unforgettable day – at the new BMW Welt, the experience and delivery centre in Munich, Germany. Visit the Museum, tour the plant or explore the Technology studio: BMW Welt brings you the true fascination of BMW. Experience more online at www.bmw-welt.com.

¹ Your BMW partner can inform you about the numerous personal settings available with this equipment.

■ Standard equipment □ Optional equipment

□ **M Sports package:** Highlights the BMW X3's sporting appearance. Features including the M Aerodynamics package, Shadow Line, sports suspension and double-spoke 192 M light-alloy wheels with mixed tyres create a look that radiates power, while the interior is given a sporting touch with the M entry strips, a M leather steering wheel, sports seats for driver and front passenger, and Anthracite roof liner.

Rear apron: complements the extended wheel arches to underscore the sporting appearance of the BMW X3.



Front spoiler: gives the frontal view more dynamism with its sporting lines.



BMW light-alloy wheels double-spoke 192 M with mixed tyres: 8 J x 18" with 235/50 R 18 tyres at the front, 9 J x 18" with 255/45 R 18 tyres at the rear.



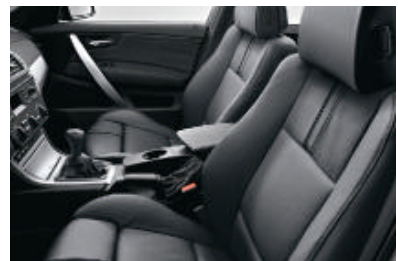
□ **BMW light-alloy wheels Y-spoke 191 M with mixed tyres:** 8.5 J x 19" with 235/45 R 19 tyres at the front, 9 J x 19" with 255/40 R 19 tyres at the rear.



M entry strips: chrome inserts with M logo round off the M sports package in style.



M leather steering wheel: chunky rim for outstanding grip. Integrated multifunction controls for convenient operation of radio, CD player and telephone (optional).



Sports seats for driver and front passenger. Generous bolsters for optimum lateral support at all times. Individual adjustment of seat height, inclination and longitudinal position, backrest angle and thigh support.

■ Standard equipment □ Optional equipment — Not available

Safety	X3 xDrive20i	X3 xDrive25i	X3 xDrive30i	X3 xDrive20d	X3 xDrive30d	X3 xDrive35d
Active headrests	■	■	■	■	■	■
Airbags:						
– Driver and front passenger airbags, seat occupation detector for front passenger airbag	■	■	■	■	■	■
– Front-to-rear head airbags	■	■	■	■	■	■
– Side airbags for driver and front passenger	■	■	■	■	■	■
– Side airbags for rear passengers	□	□	□	□	□	□
Anti-lock brake system (ABS)	■	■	■	■	■	■
Brakes:						
Brake-Force Display	■	■	■	■	■	■
– Disc brakes in the front, inner-vented	■	■	■	■	■	■
– Disc brakes in the rear, outer-vented	■	■	■	■	■	■
– Raised third brake light integrated into roof spoiler	■	■	■	■	■	■
Central locking with electronic immobiliser, crash sensor; fuel tank filler flap integrated in central locking as well as remote control	■	■	■	■	■	■
Child seat fastening in the back seat, ISOFIX , for the outer back seats	■	■	■	■	■	■
Child seat fastening in the front passenger seat, ISOFIX	□	□	□	□	□	□
Dynamic Stability Control (DSC, DTC incl. brake assistant) with additional functions	■	■	■	■	■	■
Rollover sensor	■	■	■	■	■	■
Safety battery terminal clamp	■	■	■	■	■	■
Safety belts:						
– Ergonomic belt system in the rear with three-point belts on all seats, with integrated belt catch	■	■	■	■	■	■
– Inertia-reel seat belts in the front with pyrotechnical belt latch tensioner and belt force governor	■	■	■	■	■	■
Safety bodysell:						
– Bumpers with aluminium impact absorbers in the front and steel impact absorbers in the rear, fully regenerating from impacts of up to 4 km/h, deformation units at the front absorbing impacts of up to 15 km/h	■	■	■	■	■	■
– Integrated side impact protection in the doors	■	■	■	■	■	■

Exterior design	X3 xDrive20i	X3 xDrive25i	X3 xDrive30i	X3 xDrive20d	X3 xDrive30d	X3 xDrive35d
Aluminium running boards	□	□	□	□	□	□
Bumpers partly in body colour	■	■	■	■	■	■
Chrome Line Exterior (incl. lower window recess finishers)	–	■	■	–	■	■
Corrosion protection , with partial hot galvanisation, phosphating and cathodic dip bath, preservation of hollow cavities, underfloor protection	■	■	■	■	■	■
Exterior mirrors , heated, electrically folding, automatic anti-glare function and automatic anti-glare rear view mirror	□	□	□	□	□	□
Exterior mirrors in body colour, electrically adjustable, aspheric design, heated	■	■	■	■	■	■
Exterior parts in body colour (outside door handles, drip moulding, roof mouldings)	■	■	■	■	■	■
Metallic paintwork	□	□	□	□	□	□
Model, designation, deletion (no extra charge)	□	□	□	□	□	□
Ornamental front grille with chrome surround	■	■	■	■	■	■
Rear window wiper	■	■	■	■	■	■
Roof railing , black matt	□	□	□	□	□	□
Roof railing , silver matt	□	□	□	□	□	□
Roof spoiler in body colour	■	■	■	■	■	■
Shadow Line	□	□	□	□	□	□
Tailgate with low loading sill	■	■	■	■	■	■
White direction indicator lights	■	■	■	■	■	■
Windscreen with green shade band	□	□	□	□	□	□

■ Standard equipment □ Optional equipment — Not available

Equipment packages	X3 xDrive20i	X3 xDrive25i	X3 xDrive30i	X3 xDrive20d	X3 xDrive30d	X3 xDrive35d
Comfort Package Plus , (incl. light-alloy wheels star-spoke 204 [X3 xDrive35d: light-alloy wheels double-spoke 205], automatic air conditioning, leather steering wheel with multifunction, Radio BMW Business CD, PDC, rain sensor, Servotronic, storage compartment package, ski bag, interior mirror with automatic anti-glare function, climate comfort windscreen, HiFi loudspeaker system)	□	□	□	□	□	□
Courtesy lights package (illuminated vanity mirrors, reading lights in the front and rear as well as footwell lights in the front)	□	□	■	□	■	■
Lights package (incl. exterior mirror lights, exit lights in all doors, footwell lighting; in addition vanity mirrors and reading lights at the rear for X3 xDrive20i, X3 xDrive25i and X3 xDrive20d)	□	□	□	□	□	□
M sports package (incl. such features as M aerodynamic kit, sports suspension, light-alloy wheels double-spoke 192 M with mixed tyres, sports seats for driver and passenger, M leather steering wheel with multifunction buttons, Shadow Line, roofliner in Anthracite, M entry strips)	□	□	□	□	□	□
Smokers package (no extra charge)	□	□	□	□	□	□

Wheels and tyres	X3 xDrive20i	X3 xDrive25i	X3 xDrive30i	X3 xDrive20d	X3 xDrive30d	X3 xDrive35d
Runflat Indicator	■	■	■	■	■	■
Spare wheel for emergencies	■	■	■	■	■	■
Wheels:						
– Light-alloy wheels ellipsoid styling 109, 17"	■	–	–	■	–	–
– Light-alloy wheels double-spoke 148, 17"	□	■	■	□	■	–
– Light-alloy wheels double-spoke 112, 17"	□	□	□	□	□	–
– Light-alloy wheels star-spoke 204, 17"	□	□	□	□	□	–
– Light-alloy wheels double-spoke 205, 18"	□	□	□	□	□	■
– Light-alloy wheels V-Spoke 206 with mixed tyres, 18"	□	□	□	□	□	□
– M light-alloy wheels Y-Spoke 191 M with mixed tyres, 19"	□	□	□	□	□	□

Interior design	X3 xDrive20i	X3 xDrive25i	X3 xDrive30i	X3 xDrive20d	X3 xDrive30d	X3 xDrive35d
Floor mats in velour	■	■	■	■	■	■
Interior trims:						
– Titanium light	■	■	■	■	■	–
– Brushed Aluminium, fine-grain	□	□	□	□	□	■
– Space Grey, metallic ¹	□	□	□	□	□	□
– Fine-wood trim Burr Walnut, light	□	□	□	□	□	□
– Fine-wood trim Poplar grain, light	□	□	□	□	□	□
– Fine-wood trim Poplar grain, grey	□	□	□	□	□	□
Upholstery:						
– Twill cloth	■	■	■	■	■	■
– Sensatec	□	□	□	□	□	□
– Cloth/leather combination Pearlpoint Pearl	□	□	□	□	□	□
– Nevada leather	□	□	□	□	□	□

Transmission and technology	X3 xDrive20i	X3 xDrive25i	X3 xDrive30i	X3 xDrive20d	X3 xDrive30d	X3 xDrive35d
4-cylinder in-line diesel engine with four-valve technology	–	–	–	■	–	–
4-cylinder in-line petrol engine with four-valve technology	■	–	–	–	–	–
6-cylinder in-line diesel engine with four-valve technology	–	–	–	–	■	■
6-cylinder in-line petrol engine with four-valve technology	–	■	■	–	–	–
6-speed automatic transmission with Steptronic	–	□	□	□	□	■

¹ Only available in conjunction with Lifestyle Edition.

■ Standard equipment □ Optional equipment — Not available

Transmission and technology	X3 xDrive20i	X3 xDrive25i	X3 xDrive30i	X3 xDrive20d	X3 xDrive30d	X3 xDrive35d
6-speed manual transmission	■	■	■	■	■	—
Anti-roll bar front and rear	■	■	■	■	■	■
Automatic Differential Brake (ADB-X)	■	■	■	■	■	■
Central-arm rear axle	■	■	■	■	■	■
Common Rail Technology	—	—	—	■	■	■
Cylinder-specific knock control	■	■	■	—	—	—
Diesel particle filter	—	—	—	■	■	■
Digital Diesel Electronics (DDE)	—	—	—	■	■	■
Digital Motor Electronics (DME)	■	■	■	—	—	—
Double-joint spring strut front axle	■	■	■	■	■	■
Double-VANOS	■	■	■	—	—	—
Emission standard EU4	■	■	■	■	■	■
Exhaust tailpipe, single	■	—	—	■	—	—
Exhaust tailpipes, twin chrome pipes	—	■	■	—	■	■
Fuel filter, heated	—	—	—	■	■	■
Hill Descent Control (HDC)	■	■	■	■	■	■
Intake Manifold with variable resonance induction system	■	■	■	—	—	—
Intercooler	—	—	—	■	■	■
Light-alloy engine block and cylinder head	■	■	■	■	—	—
Oxidizing converter	—	—	—	■	■	■
Park Distance Control (PDC), front and rear	□	□	□	□	□	□
Power steering	■	■	■	■	■	■
Servotronic	□	□	□	□	□	□
Sports suspension without vehicle lowering	□	□	□	□	□	□
Three-way catalytic converter, heated oxygen sensor, activated carbon filter, fully controlled tank purge	■	■	■	—	—	—
Valvetronic	■	■	■	—	—	—
Variable Twin Turbo	—	—	—	—	—	■
xDrive (all-wheel drive system with variable torque distribution)	■	■	■	■	■	■

Light and sight	X3 xDrive20i	X3 xDrive25i	X3 xDrive30i	X3 xDrive20d	X3 xDrive30d	X3 xDrive35d
Adaptive Headlights, with automatic headlight range control (only in combination with Xenon Headlights)	□	□	□	□	□	□
Courtesy lights, front centre	■	■	■	■	■	■
Courtesy lights with automatic function and soft on/off dimming	■	■	■	■	■	■
Fog lights with free-form reflector, incl. heated exterior mirrors	■	■	■	■	■	■
Footwell lights, front	□	□	■	□	■	■
Headlight washing system	□	□	□	□	□	□
High-beam and low-beam free-form headlights	■	■	■	■	■	■
Illumination of centre console	■	■	■	■	■	■
Interior mirror with automatic anti-glare function, incl. courtesy lights package	□	□	□	□	□	□
Luggage compartment light in the tailgate	■	■	■	■	■	■
Luggage compartment lights left/right	■	■	■	■	■	■
Rain sensor incl. automatic headlights control	□	□	□	□	□	■
Xenon Headlights for low and high beam, incl. automatic headlight range control	□	□	□	□	□	□

■ Standard equipment □ Optional equipment — Not available

Interior	X3 xDrive20i	X3 xDrive25i	X3 xDrive30i	X3 xDrive20d	X3 xDrive30d	X3 xDrive35d
Air conditioning (incl. microfilter)	■	■	■	■	■	—
Automatic air conditioning (incl. AAR and solar sensor)	□	□	□	□	□	■
Centre armrest in the rear (incl. two cupholders and storage compartment) and integrated head rest	■	■	■	■	■	■
Climate comfort windscreen	□	□	□	□	□	□
Cupholders , front and rear (two each)	■	■	■	■	■	■
Digital clock	■	■	■	■	■	■
Follow-Me-Home function	■	■	■	■	■	■
Glove compartment , lockable and illuminated	■	■	■	■	■	■
Heat-insulating glass, green , windscreen and side windows	■	■	■	■	■	■
Instrument panel with round speedometer and rpm dials , fuel gauge and coolant temperature gauge	■	■	■	■	■	■
“LIGHTS ON” warning	■	■	■	■	■	■
Load area cover	■	■	■	■	■	■
Luggage compartment partition net	■	■	■	■	■	■
Map pocket in door trim panel, front and rear	■	■	■	■	■	■
Panorama glass roof , electric, with slide and lift function	□	□	□	□	□	□
Roofliner in Anthracite	□	□	□	□	□	□
Seats/seat comfort:						
– Comfort seats ¹ for driver and front passenger	□	□	□	□	□	□
– Electric seat adjustment, with memory function for driver’s seat	□	□	□	□	□	■
– Lumbar support for driver and front passenger seat	□	□	□	□	□	□
– Rear seat bench, 60:40 split/folding	■	■	■	■	■	■
– Seat heating for driver and front passenger seat	□	□	□	□	□	□
– Sports seats for driver and front passenger	□	□	□	□	□	□
– Standard seats, manual seat adjustment	■	■	■	■	■	—
Steering wheels:						
– Leather steering wheel, gear lever knob and handbrake lever grip in leather	□	□	■	□	■	■
– M leather steering wheel	□	□	□	□	□	□
– Multifunction for steering wheel incl. cruise control	□	□	□	□	□	■
– Sports leather steering wheel, incl. multifunction	□	□	□	□	□	□
– Standard steering wheel	■	■	—	■	—	—
– Steering column adjustment, manual with vertical and horizontal function	■	■	■	■	■	■
– Steering wheel heating	□	□	□	□	□	□
Sun protection glazing	□	□	□	□	□	□
Vanity mirror with slide covers for driver and front passenger	■	■	■	■	■	■
Window lifts, electric , incl. open/close fingertip control, front and rear	■	■	■	■	■	■

¹ Not available in combination with Lifestyle Edition.

■ Standard equipment □ Optional equipment — Not available

Comfort and interior equipment	X3 xDrive20i	X3 xDrive25i	X3 xDrive30i	X3 xDrive20d	X3 xDrive30d	X3 xDrive35d
Adaptive restraint system (available in combination with storage compartment package)	□	□	□	□	□	□
Alarm system with remote control	□	□	□	□	□	□
Armrest in the front, folding	□	□	■	□	■	■
Car/Key Memory	■	■	■	■	■	■
Emergency boot lock release	■	■	■	■	■	■
Luggage compartment with textile lining , load capacity 480 to 1,560 litres	■	■	■	■	■	■
Power sockets (12-V) at rear of centre console and in luggage compartment	■	■	■	■	■	■
Ski bag	□	□	□	□	□	□
Storage compartment in centre armrest in the rear	■	■	■	■	■	■
Storage compartment in centre console at the front, in dashboard (not in combination with navigation system Professional*), as well as all doors	■	■	■	■	■	■
Storage compartment in luggage compartment trim right	■	■	■	■	■	■
Storage compartment package (incl. front armrest; luggage nets on the backs of the front seats, below centre console [passenger's side] and on the left side of the luggage compartment; reversible luggage compartment floor; parcel rails with four fastening eyelets on luggage compartment floor and multifunctional hooks plus bottle restraint in luggage compartment)	□	□	□	□	□	□
Tools under storage floor	■	■	■	■	■	■
Trailer tow hitch with removable ball head (incl. trailer stability control)	□	□	□	□	□	□
Trailer stability control (in combination with tow hitch)	□	□	□	□	□	□
Warning triangle and first-aid kit	■	■	■	■	■	■

Entertainment, communication and information	X3 xDrive20i	X3 xDrive25i	X3 xDrive30i	X3 xDrive20d	X3 xDrive30d	X3 xDrive35d
Navigation system*:						
– Business, with LC display, DVD-compatible, incl. Radio BMW Business (without audio drive)	□	□	□	□	□	□
– Professional, with 16:9 colour screen, DVD-compatible, incl. Radio BMW Business CD with MP3 decoder	□	□	□	□	□	□
– Professional, with integrated Bluetooth mobile phone preparation (incl. BMW Assist* and BMW Online*) and MP3 decoder	□	□	□	□	□	□
– TV function for analogue and digital (DVB-T) reception	□	□	□	□	□	□
On-board computer (incl. Check Control)	■	■	■	■	■	■
Radio / Audio:						
– AUX-IN connection	■	■	■	■	■	■
– 6-disc CD changer, in centre console, incl. MP3 decoder	□	□	□	□	□	□
– HiFi loudspeaker system	□	□	□	□	□	□
– HiFi system Professional	□	□	□	□	□	□
– Radio BMW Business CD, incl. MP3 decoder	□	□	□	□	□	□
– Radio BMW CD	■	■	■	■	■	■
Telephone: Preparation for mobile phone with Bluetooth, incl. BMW Assist*	□	□	□	□	□	□

* Not available in all countries. Please consult your BMW partner.

Weight		X3	X3	X3	X3	X3	X3
		xDrive20i	xDrive25i	xDrive30i	xDrive20d	xDrive30d	xDrive35d ⁹
Unladen EU ¹	kg	1730	1805 [1830]	1815 [1840]	1815 [1825]	1880 [1885]	1950
Max. permissible	kg	2200	2260 [2300]	2260 [2300]	2265	2350 [2355]	2385
Permitted load	kg	545	530 [545]	520 [535]	525 [515]	545	510
Permitted axle load, front/rear	kg	1050/1235	1100/1260	1100/1260	1080/1260	1150/1260	1177/1284
Permitted roof load	kg	75	75	75	75	75	75
Permitted trailer load, unbraked ²	kg	720	720	720	720	750	750
Permitted trailer load, braked, max 12% gradient ²	kg	1600	1800	2000	1800 [2000]	2000	2000
Permitted trailer load, braked, max 8% gradient ²	kg	1600	1800	2000	1800 [2000]	2000	2000
Permitted towbar download	kg	80	80	80	80	80	80

Engine ³		X3	X3	X3	X3	X3	X3
		xDrive20i	xDrive25i	xDrive30i	xDrive20d	xDrive30d	xDrive35d ⁹
Cylinders/valves		4/4	6/4	6/4	4/4	6/4	6/4
Capacity	cc	1995	2497	2996	1995	2993	2993
Stroke/bore	mm	90.0/84.0	78.8/82.0	88.0/85.0	90.0/84.0	90.0/84.0	90.0/84.0
Max. output	kW/rpm	110/6200	160/6500	200/6650	130/4000	160/4000	210/4400
	(hp/rpm)	(150/6200)	(218/6500)	(272/6650)	(177/4000)	(218/4000)	(286/4400)
Max. torque	Nm/rpm	200/3750	250/2750–4250	315/2750	350/1750–3000	500/1750–2750	580/1750–2250
Compression ratio	:1	10.5	11.0	10.7	16.0	17.0	17.0

Transmission		X3	X3	X3	X3	X3	X3
		xDrive20i	xDrive25i	xDrive30i	xDrive20d	xDrive30d	xDrive35d ⁹
Standard transmission ratio	I/II :1	4.35/2.50	4.35/2.50	4.35/2.50	5.14/2.83	5.08/2.80	4.17/2.34
	III/IV :1	1.66/1.23	1.66/1.23	1.66/1.23	1.80/1.26	1.78/1.26	1.52/1.14
	V/VI/R :1	1.0/0.85/3.93	1.0/0.85/3.93	1.0/0.85/3.93	1.0/0.83/4.64	1.0/0.83/4.61	0.870/0.69/3.40
Final drive ratio	:1	4.10	3.91	3.73	3.07	2.93	3.23

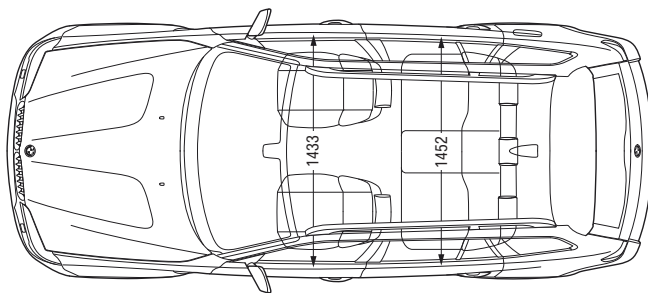
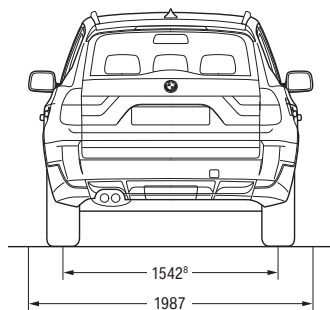
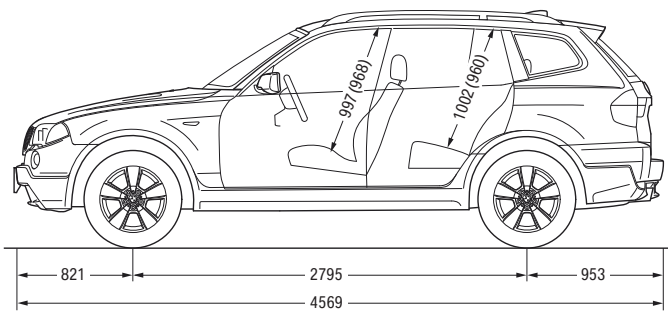
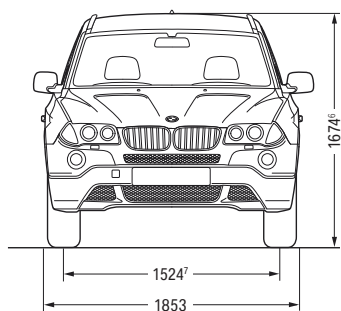
Performance		X3	X3	X3	X3	X3	X3
		xDrive20i	xDrive25i	xDrive30i	xDrive20d	xDrive30d	xDrive35d ⁹
Top speed	km/h	198	210/221 ⁵ [210/220 ⁵]	210/232 ⁵ [210/228 ⁵]	206 [205]	210/220 ⁵ [210/220 ⁵]	240
Acceleration 0–100 km/h	sec	11.5	8.5 [8.9]	7.2 [7.5]	8.9 [9.2]	7.4 [7.7]	6.4
Acceleration 80–120 km/h in 4th/5th gear (with standard transmission)	sec	10.9/13.9	8.5/10.9	7.3/8.9	7.6/9.2	5.7/6.9	–/–

Fuel consumption ^{3,4}		X3	X3	X3	X3	X3	X3
		xDrive20i	xDrive25i	xDrive30i	xDrive20d	xDrive30d	xDrive35d ⁹
Urban	l/100 km	12.6	12.8 [13.1]	13.4 [13.3]	8.2 [8.3]	9.7 [9.9]	9.7
Extra-urban	l/100 km	6.9	7.3 [7.4]	7.3 [7.6]	5.5 [5.8]	6.0 [6.4]	6.7
Combined	l/100 km	9.0	9.3 [9.5]	9.5 [9.7]	6.5 [6.7]	7.4 [7.7]	7.8
CO ₂ emissions	g/km	215	224 [228]	229 [233]	172 [178]	196 [206]	208
Tank capacity approx.	l	67	67	67	67	67	67

Wheels		X3	X3	X3	X3	X3	X3
		xDrive20i	xDrive25i	xDrive30i	xDrive20d	xDrive30d	xDrive35d ⁹
Tyre dimensions		235/55 R 17 H	235/55 R 17 H	235/55 R 17 H	235/55 R 17 H	235/55 R 17 H	235/50 R 18 V
Wheel dimensions		8 J x 17	8 J x 17	8 J x 17	8 J x 17	8 J x 17	8 J x 18
Material		light-alloy	light-alloy	light-alloy	light-alloy	light-alloy	light-alloy

For an explanation of the footnotes see the following page.

Electrical system		X3 xDrive20i	X3 xDrive25i	X3 xDrive30i	X3 xDrive20d	X3 xDrive30d	X3 xDrive35d ⁹
		Battery capacity	Ah	55	70	70	80
Alternator output	A	110	150	150	180	150	150
	W	1540	2100	2100	2520	2100	2100



All dimensions in the technical drawings are given in millimetres. Luggage capacity from 480 to 1.560 l (VDA measurement).

¹ Figures are based on a 90% tank filling, driver's weight of 68 kg and 7 kg of luggage. Curb weight applies to vehicles with standard equipment. Optional extras may increase these figures.

² The overall weight of the trailer may not exceed the maximum permissible trailer load plus the maximum permissible towbar download.

³ The petrol engine is designed for RON 98 fuel. It may be run on RON 91 fuel with a possible decrease in engine output.

⁴ All BMW X3 engines comply with EU4 emissions standards. Fuel consumption is determined according to the ECE combined driving cycle in which approx. one third of the distance covered is in urban traffic and two thirds are extra urban driving. CO₂ emission is measured in addition to fuel consumption.

⁵ In conjunction with optional M sports package or the light-alloy wheels double-spoke 205, star-spoke 143, V-spoke 206, Y-spoke 280 and Y-spoke 191 M available on demand.

⁶ Height incl. aerial.

⁷ Track width at the front 1,538 mm on the X3 xDrive20i and X3 xDrive20d.

⁸ Track width at the rear 1,556 mm on the X3 xDrive20i and X3 xDrive20d.

⁹ Standard with 6-speed automatic transmission.

Figures in () in the technical drawing apply to vehicles with Panorama glass roof.
Figures in [] apply to models with 6-speed automatic transmission.

More about BMW

www.bmw.com



Sheer
Driving Pleasure

BMW Recycling.

Your BMW is the product of a comprehensive recycling concept. But what exactly does that mean in practice? It means that all the requirements of recycling are taken into account from the start, in the initial development of a BMW. One example is the choice of materials carefully selected to preserve resources and ensure efficient recycling compatible with the environment. Each BMW is designed and built for simple and economic recycling after its – long – running life. We have been collecting the know-how required for this purpose ever since 1994 at the unique BMW Recycling and Dismantling Centre (RDC) near Munich. At the same time the BMW Group is establishing a complete network of vehicle return and recycling facilities initially throughout Europe, focusing in the process on the highest standards of quality and environmental care typical of BMW. So please contact your BMW partner, who will be happy to advise you on all matters regarding the return of your end-of-life vehicle.

The models illustrated in this brochure show the specifications for the German market. In part, they include optional equipment and accessories not fitted as standard. According to the specific legal requirements of other markets, alterations in models, standard and optional equipment, as described in this brochure, may occur. For precise information on model features and the exact level of equipment, please contact your BMW partner. Subject to change in design and equipment. © BMW AG, Munich/Germany. Reproduction, in part or in whole, only with written permission from BMW AG, Munich.

BMW recommends 

